



SOLAR MOUNTING SYSTEMS



SOLAR MOUNTING SYSTEMS



TS EN 61537



SOLAR MOUNTING SYSTEMS

Company Profile



EAE Group in numbers;



1973

year of foundation

Founded in 1973, EAE Elektrik A.S. being the parent company of EAE Group is a worldwide manufacturer of electrical products.



280.000m²

covered manufacturing area

Founded : in 1973
Covered Manufacturing Area : 280.000m²
Range of Products : Busbar Power Distribution Systems
Lighting Busbar Systems
Cable Tray Systems
Underfloor Trunking
Trolley Busbar Systems



5

manufacturing plants

Companies : EAE Elektrik
EAE Aydınlatma
EAE Elektroteknik
EAE Teknoloji
EAE Makina



3

R&D Centers

Number of Plants : 5

The principles of "Lean Production" and "Innovative and Customer-Focused Product Development" are followed in design and production of product ranges in line with ISO 9001, ISO 14001, OHSAS 18001 and ISO 27001 standards.



100+

countries of export

Busbar products of EAE Elektrik A.Ş. are certified by laboratories classified under KEMA / DEKRA (the Netherlands) and KEMA - KEUR, UL classes according to IEC 61439-1 / 6 standards.

SOLAR MOUNTING SYSTEMS

Company Profile



Engineering Services

Customized solutions on project basis are designed and established by experienced EAE engineers.



Design & Software Support

Precise bills of materials for practical and fast project design special software is used. EAE design enables static calculations and calculations with SAP 2000 and INVENTOR software.



Rapid Response & Delivery Time

Factory delivery within 3 to 4 weeks is ensured with a comprehensive production capacity. Thanks to this, the urgent production team can produce any urgent requirement on the field within 48 hours.



Pre-Sales Customer Services

Free, comprehensive technical product consultancy for customer specific solutions and technical design services.



TS EN 61537





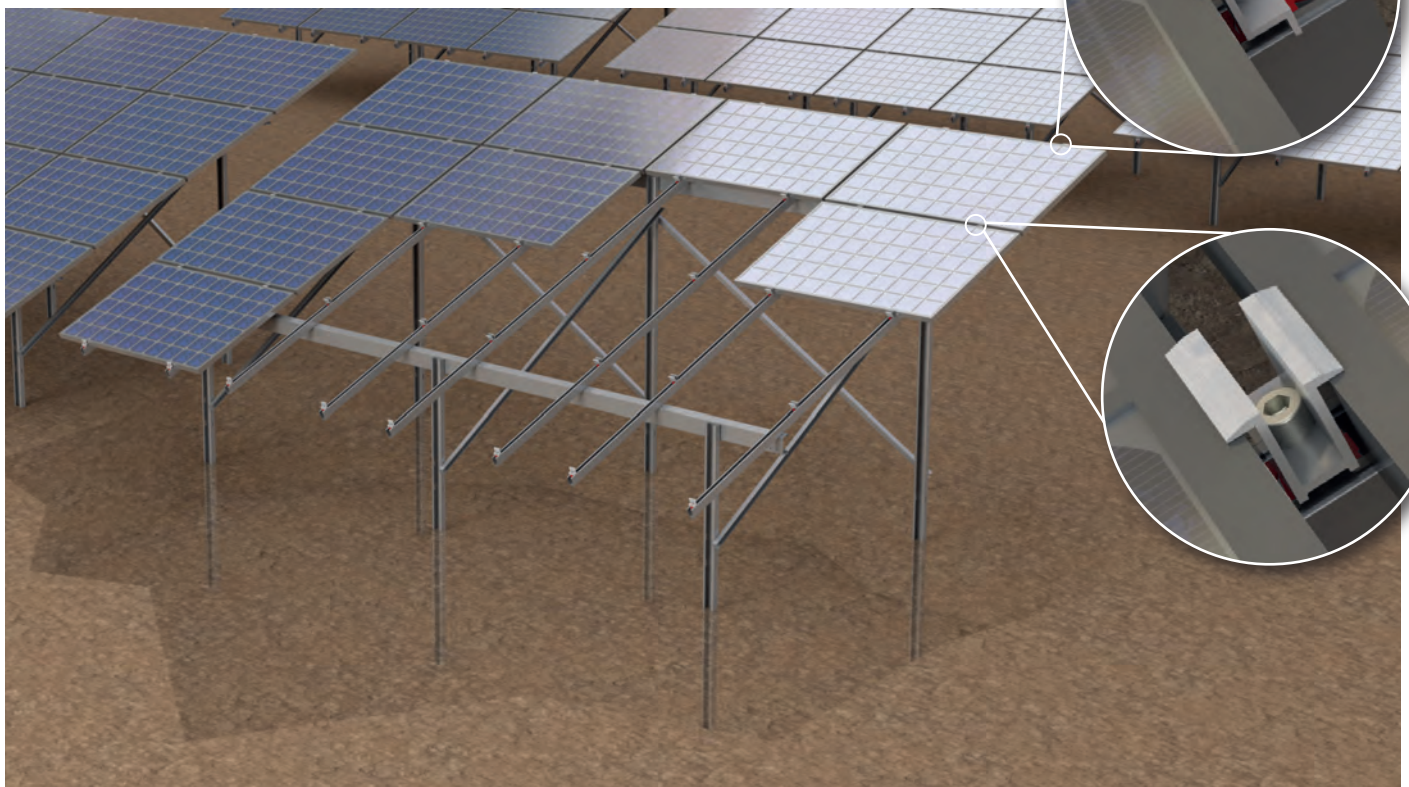
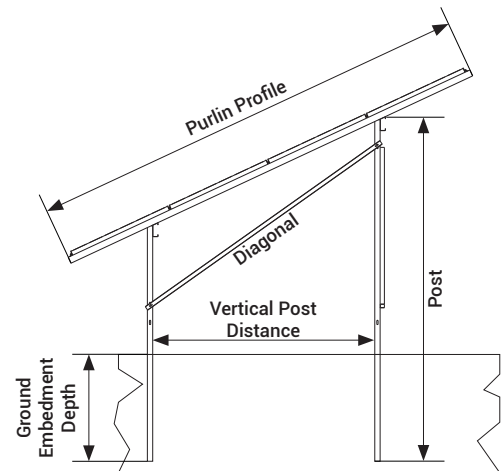
CONTENTS

GROUND APPLICATION SOLUTIONS	
Ramming Ground Applications	2
Concrete Floor Applications	3
Single Counterfort Applications	4
ROOF APPLICATION SOLUTIONS	
Standard Flat Roof Applications	5-6
CARPORT APPLICATION SOLUTIONS	
Carport Application.....	7
REFERENCES	
Energy References	8-9

▶▶ GROUND APPLICATION SOLUTIONS

▶ Ramming Ground Applications

- Used for grounds convenient for ramming application.
- Embedment depth may vary according to the structure of the soil and static and dynamic loads in the project zone.
- Minimizes product deformations formed during ramming applications with the use of high-quality raw material use and precise quality controls.
- Offers fast and easy assembly advantage with state-of-the-art engineering and design. Thus, ensures serious savings on workmanship costs.

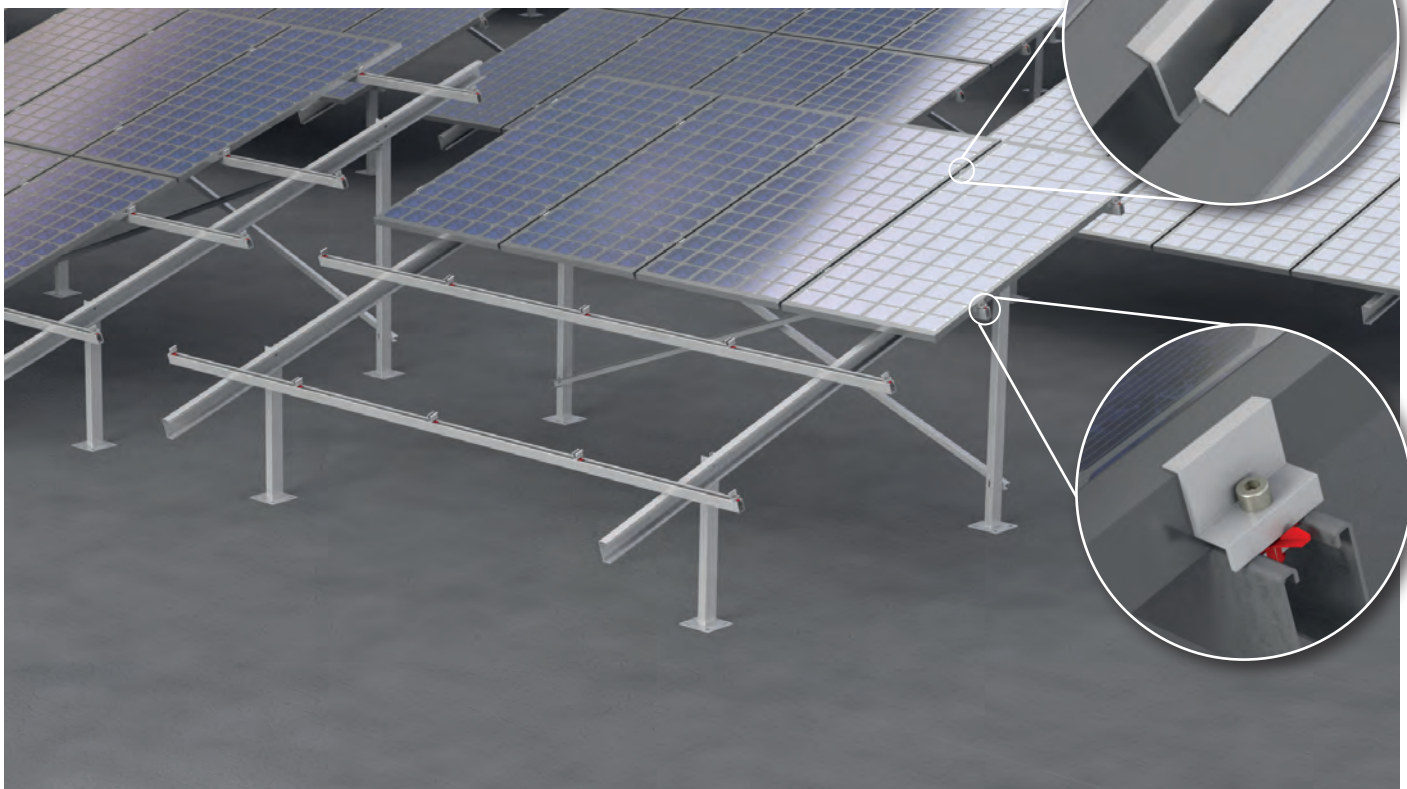
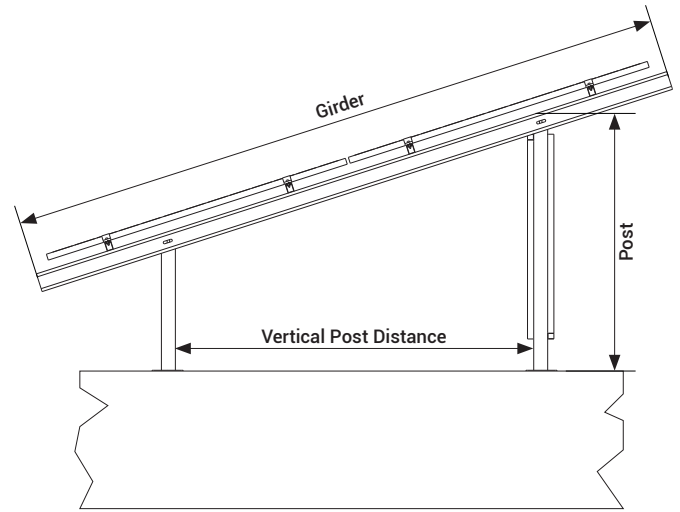


SOLAR MOUNTING SYSTEMS

►► GROUND APPLICATION SOLUTIONS

► Concrete Floor Applications

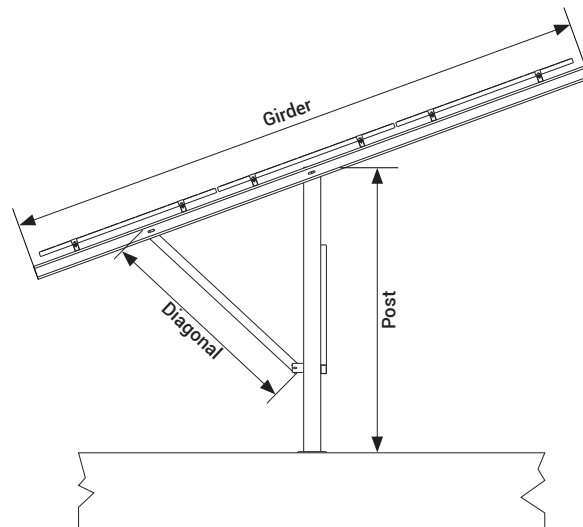
- Used for grounds that are not convenient for ramming application.
- Concrete floor measurements may vary depending on the project.
- Minimizes product deformations formed during ramming applications with the use of high-quality raw material use and precise quality controls.
- Offers fast and easy assembly advantage with state-of-the-art engineering and design. Thus, ensures serious savings on workmanship costs.



▶▶ GROUND APPLICATION SOLUTIONS

▶ Single Counterfort Applications

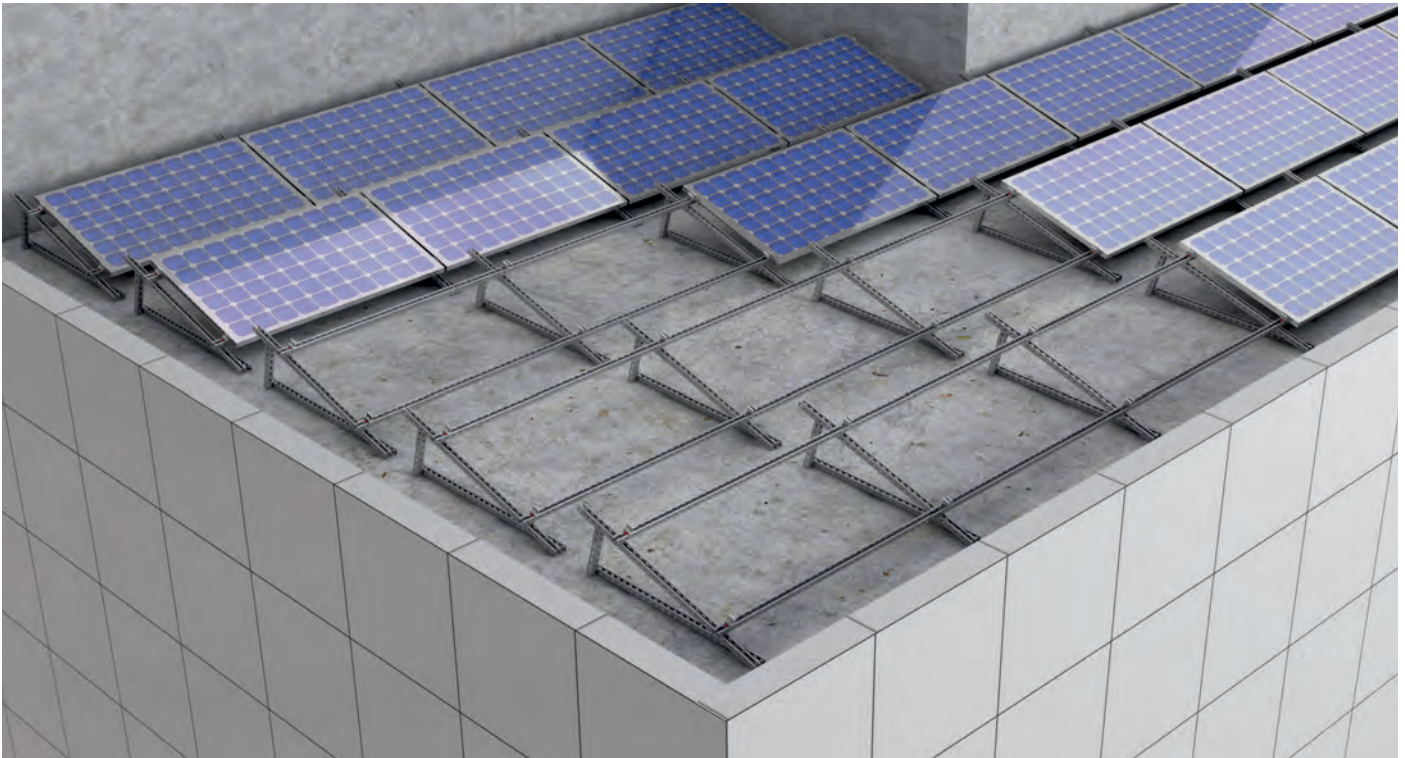
- Used for grounds that are not convenient for ramming application.
- Concrete floor measurements may vary depending on the project.
- Minimizes product deformations formed during ramming applications with the use of high-quality raw material use and precise quality controls.
- Offers fast and easy assembly advantage with state-of-the-art engineering and design. Thus, ensures serious savings on workmanship costs.



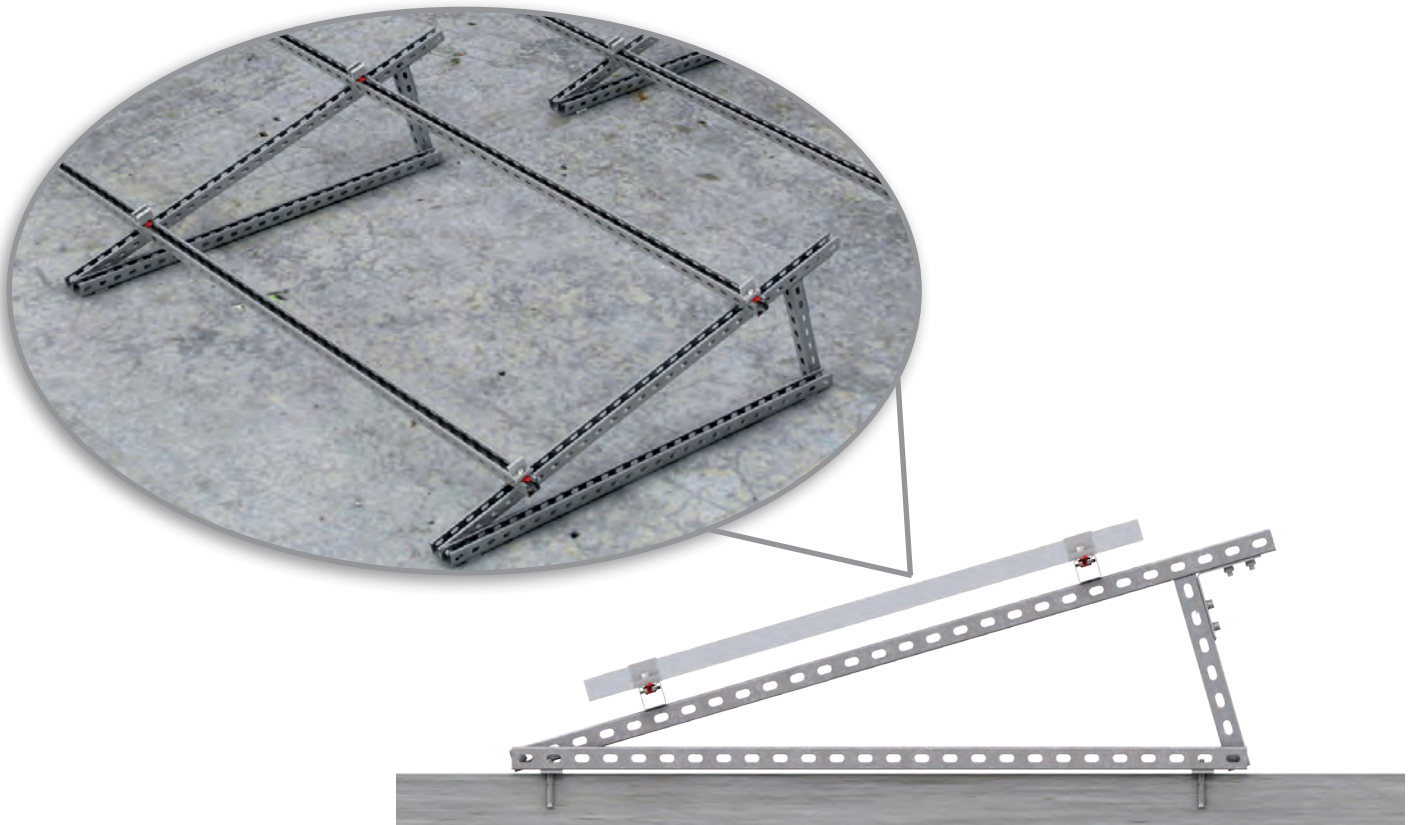
SOLAR MOUNTING SYSTEMS

▶▶ ROOF APPLICATION SOLUTIONS

▶ Standard Flat Roof Applications



Standard Flat Roof Type-1

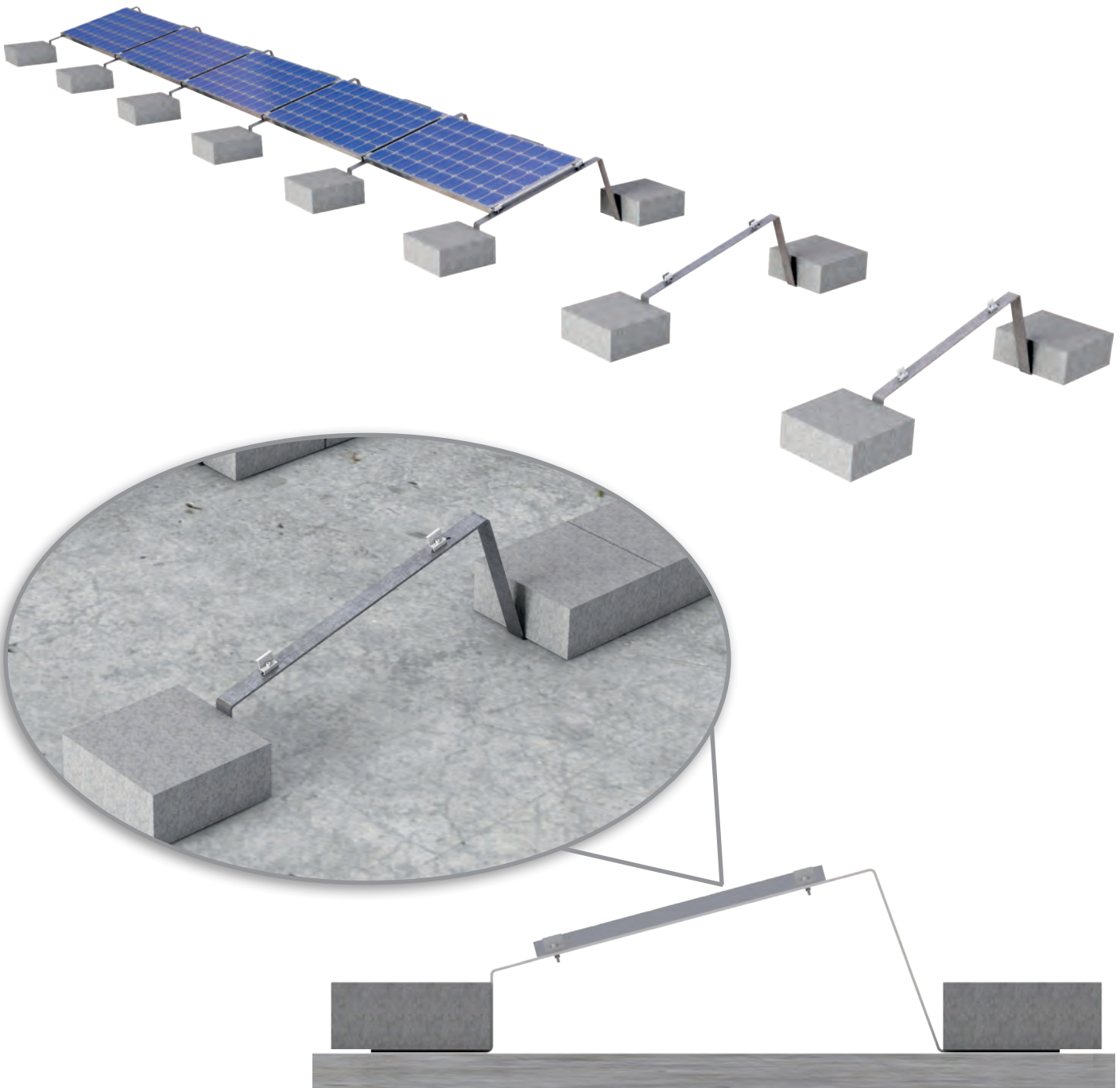


▶▶ ROOF APPLICATION SOLUTIONS

▶ Standard Flat Roof Applications

Standard Flat Roof Applications Type-2

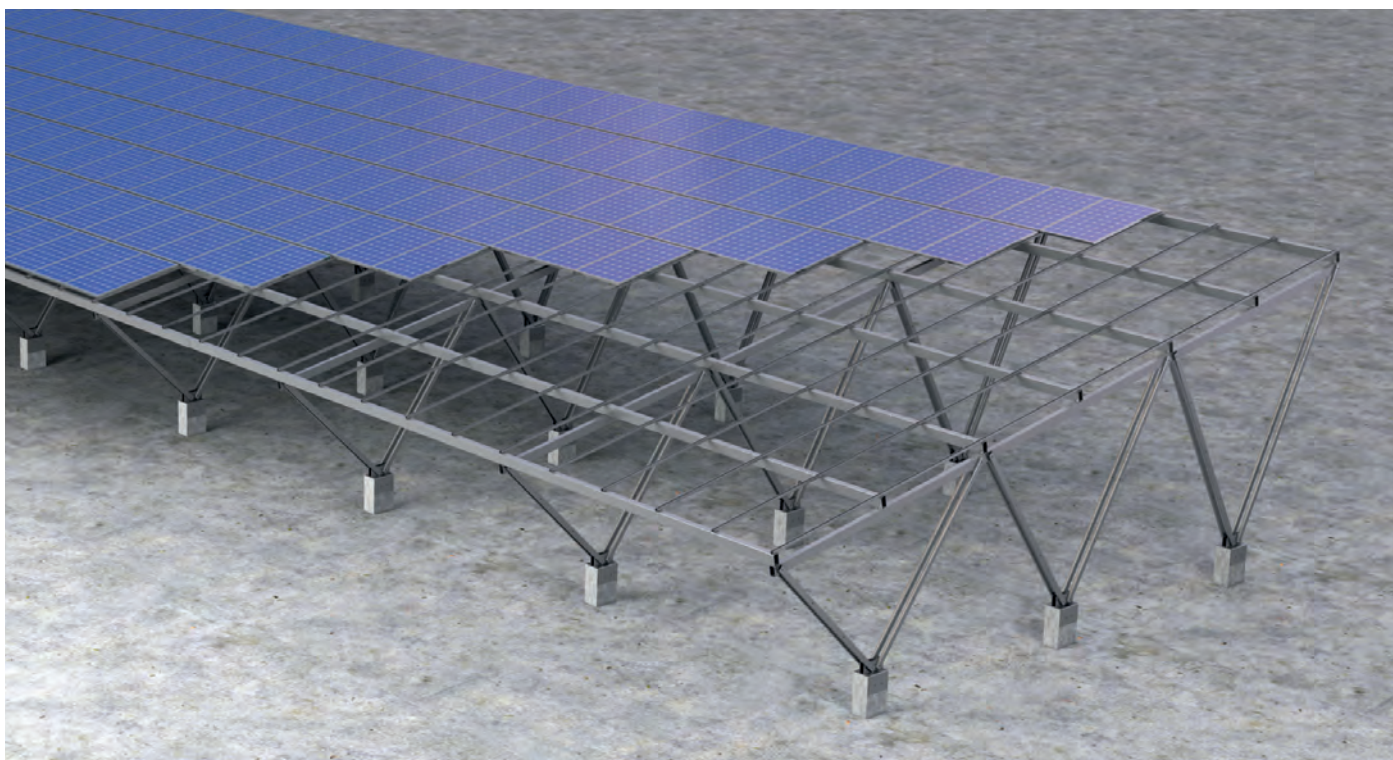
Description	Weight (kg/m)	Order Code
Roof Type Support Foot	9,330	3188595



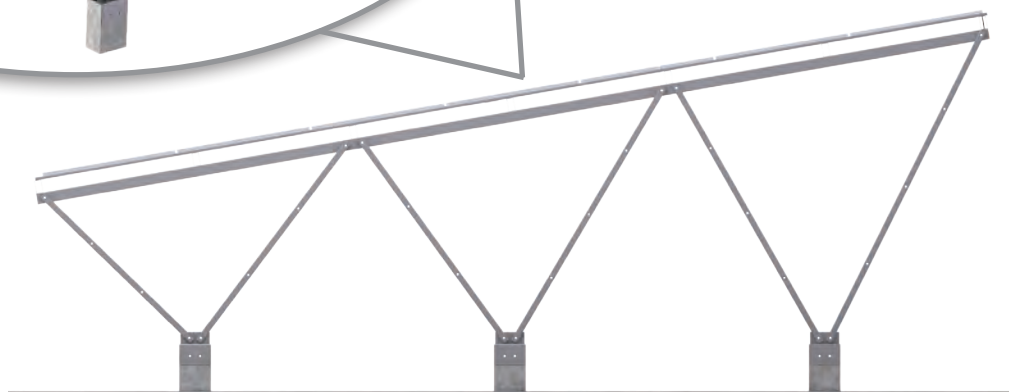
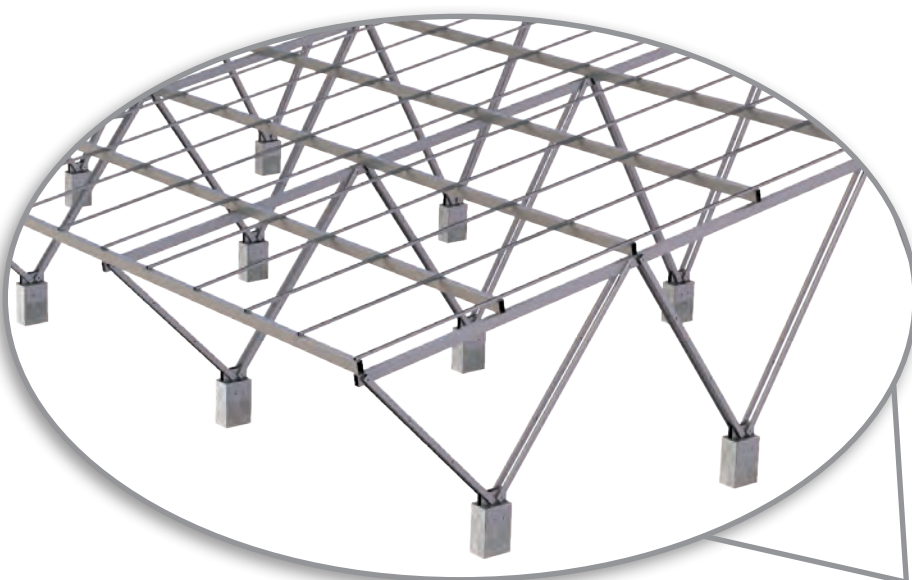
SOLAR MOUNTING SYSTEMS

▶▶ CARPORT APPLICATION SOLUTIONS

▶ Carport Application



Carport:



SOLAR MOUNTING SYSTEMS

▶▶ REFERENCES

▶ Energy References

FIXED TILT GROUND APPLICATION – SOLAR MOUNTING SOLUTIONS



8,6 MW Konya 1 Energy Plant

FIXED TILT GROUND APPLICATION – SOLAR MOUNTING SOLUTIONS



4,2 MW Konya 2 Energy Plant

FIXED TILT GROUND APPLICATION – SOLAR MOUNTING SOLUTIONS



8,6 MW Konya 3 Energy Plant

SOLAR MOUNTING SYSTEMS

▶ REFERENCES

▶ Energy References

FIXED TILT GROUND APPLICATION – SOLAR MOUNTING SOLUTIONS



CARPORT APPLICATION – SOLAR MOUNTING SOLUTIONS



FIXED TILT GROUND APPLICATION – SOLAR MOUNTING SOLUTIONS



SOLAR MOUNTING SYSTEMS



Member List		
Serial No	Type	Pcs.
Company : Project : Project No :		
Name : Date : Signature :		
Prepared by		

Please use this page after copying.



PRODUCT TYPES



BUSBAR ENERGY DISTRIBUTION SYSTEMS



CABLE TRAYS



TROLLEY BUSBAR ENERGY DISTRIBUTION SYSTEMS



INDOOR SOLUTIONS



SUPPORT SYSTEMS



EAE Elektrik A.S.
Head Office
Akcaburgaz Mahallesi,
3114. Sokak, No:10 34522
Esenyurt - Istanbul - TURKEY
Tel: +90 (212) 866 20 00
Fax: +90 (212) 886 24 20

EAE DL 3 Factory
Busbar
Makine Ihtisas Organize Sanayi
Bolgesi Mahallesi, 6. Cadde,
8. Sokak, No:6 41455
Dilovası - Kocaeli - TURKEY
Tel: +90 (262) 502 05 65
Fax: +90 (262) 502 05 70

EAE DL 1 Factory
Cable Tray
Makine Ihtisas Organize Sanayi
Bolgesi Mahallesi, 6. Cadde,
8. Sokak, No:2 41455
Dilovası - Kocaeli - TURKEY
Tel: +90 (262) 502 05 65
Fax: +90 (262) 502 05 70

Please visit our website for the updated version of our catalogues.
www.eaeelectric.com

IEC 61439-6 



Catalogue 39-Eng. / Rev 02 / 500 pcs. 28/02/2023
G.M.

EAE has full right to make any revisions or changes on this catalogue without any prior notice.

