

E-LINE BR

CABLE SUPPORT SYSTEMS



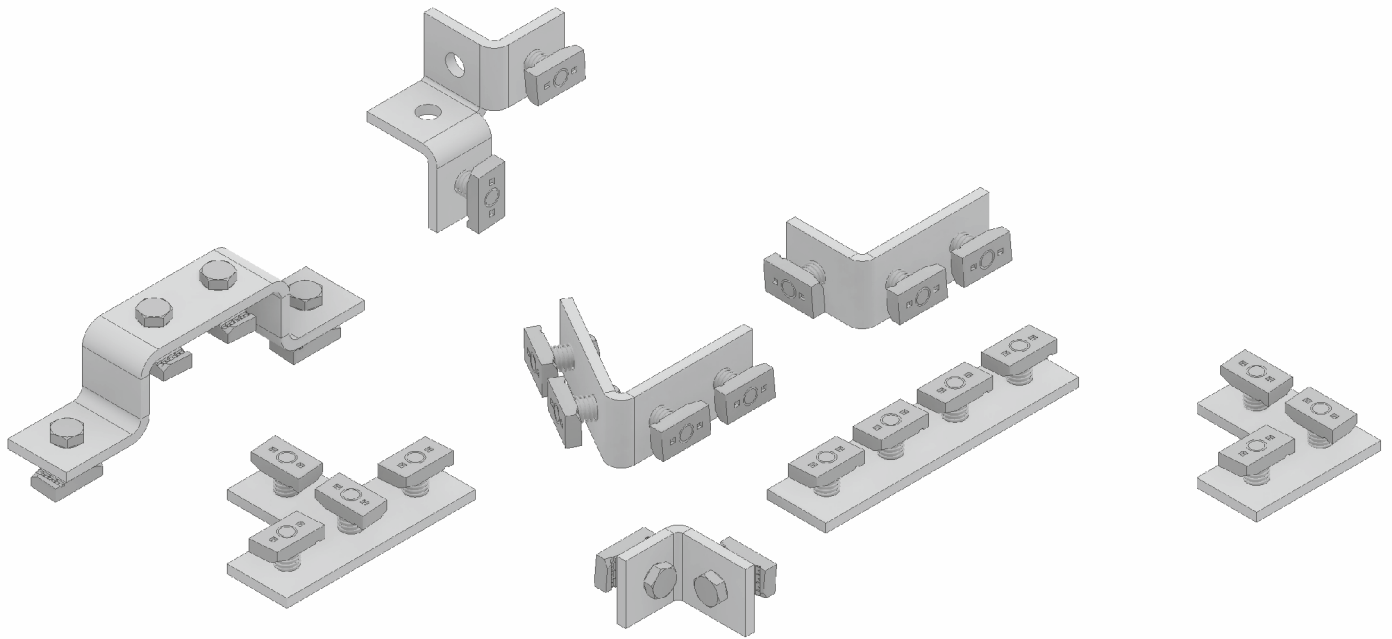
Binrak Strut Support System



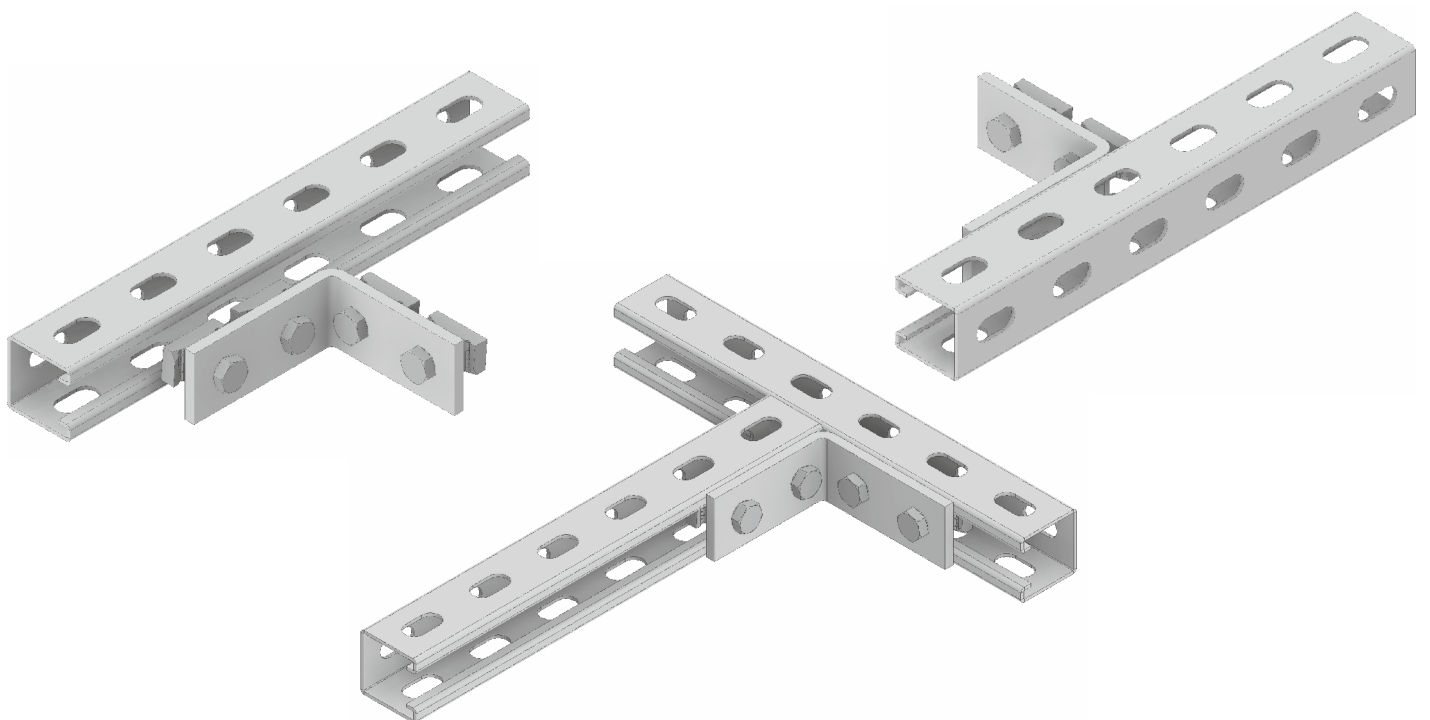




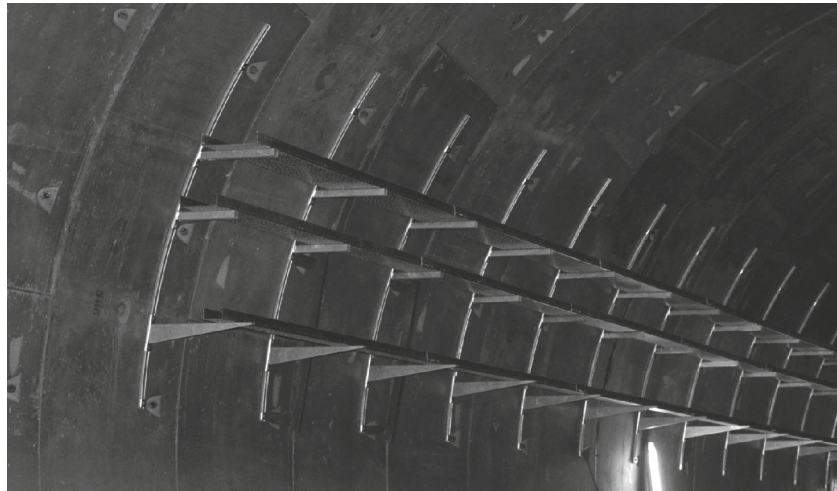
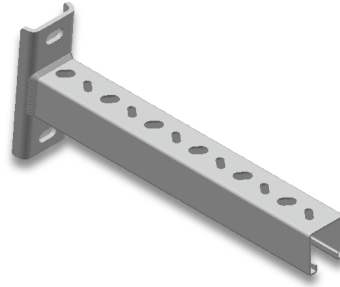
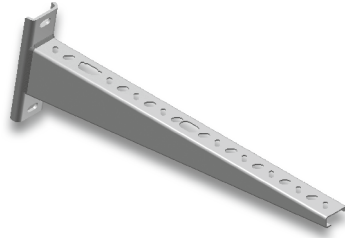
ELEKTRİK



CABLESUPPORTSYSTEMS



▶▶ **ANGLED BINRAK CONSOLE APPLICATION**



CONTENTS

2-11	Binrak Channel
12	Binrak Double Channel
13-14	Maximum Load For Binrak Profiles
15-20	Binrak Fitting Accessories
21-27	Binrak Modular Fitting Accessories
28	Binrak Cross Connectors
29-31	Binrak Fitting Accessories
32-35	Binrak Support With Holes
36	Heavy Duty Support
37	Adjustable Angle Brackets
38	Sample Mounting Applications

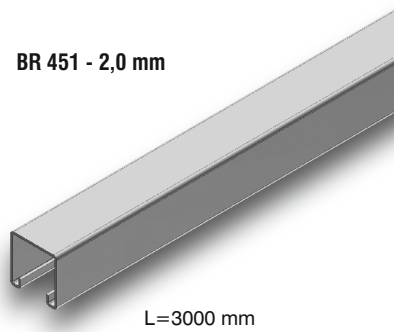
CABLE SUPPORT SYSTEMS

►► BINRAK CHANNEL (41x41mm)

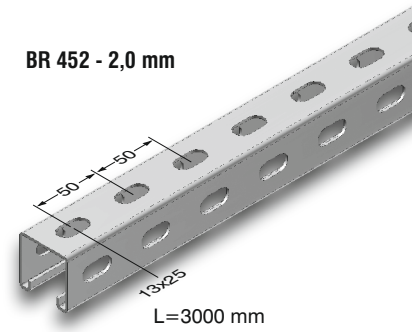
Pre-galvanized (TS EN 10346 - TS EN 10143)

Description	T (mm)	Weight (kg./m.)	Order Code
BR 451 BINRAK	2	2,214	3005459
BR 452 BINRAK	2	1,936	3005312
BR 453 BINRAK	2	2,122	3006383

BR 451 - 2,0 mm



BR 452 - 2,0 mm

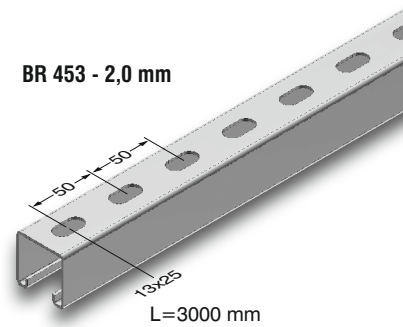


►► BINRAK CHANNEL (41x41mm)

Hot Dip Galvanized (TS EN ISO 1461)

Description	T (mm)	Weight (kg./m.)	Order Code
BR 451 BINRAK	2	2,435	3005460
BR 452 BINRAK	2	2,130	3005313
BR 453 BINRAK	2	2,334	3006384

BR 453 - 2,0 mm

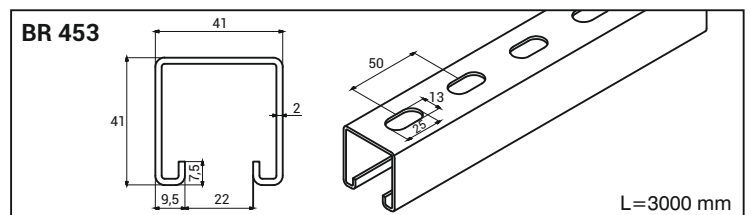
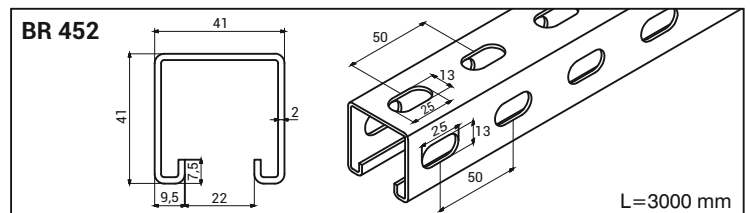
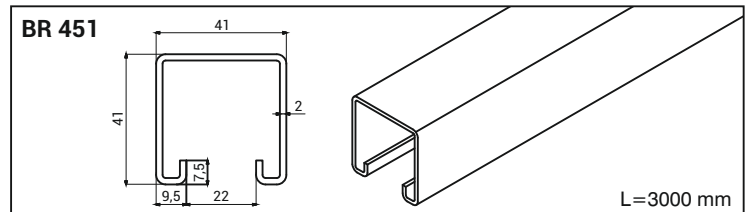


Profile Cross-sectional Properties

Product	X-X				Y-Y		
	Cross-sectional area (cm ²)	Moment of Inertia I (cm ⁴)	Section Modulus S (cm ³)	Radius Of Gyration R (cm)	Moment of Inertia I (cm ⁴)	Section Modulus S (cm ³)	Radius Of Gyration R (cm)
BR 451	2,80	6,27	3,05	1,49	7,75	3,78	1,66
BR 452							
BR 453							

SAFE WORKING LOAD

L (mm)	Deflexion (mm)	Point	Distributed
		F (kN)	F (kN)
500	2,50	3,00	4,80
750	3,75	2,35	3,76
1000	5,00	1,80	2,88
1250	6,25	1,45	2,32
1500	7,50	1,20	1,92
1750	8,75	0,95	1,52
2000	10,00	0,72	1,15
2250	11,25	0,55	0,88
2500	12,50	0,44	0,70
2750	13,75	0,35	0,56
3000	15,00	0,30	0,48



■ Maximum deflexion L/200 value is not exceeded in the indicated L (mm) size.

■ Please indicate the order code in your orders.

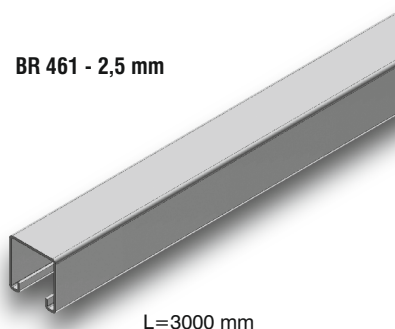
■ Please contact us for your orders with customized sizes.

■ Material weights may vary by ± 10%

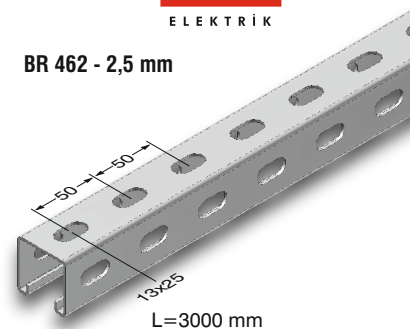
►► **BINRAK CHANNEL (41x41mm)**
Pre-galvanized (TS EN 10346 - TS EN 10143)

Description	T (mm)	Weight (kg./m.)	Order Code
BR 461 BINRAK	2,5	2,690	3005461
BR 462 BINRAK	2,5	2,341	3005314
BR 463 BINRAK	2,5	2,578	3006385

BR 461 - 2,5 mm



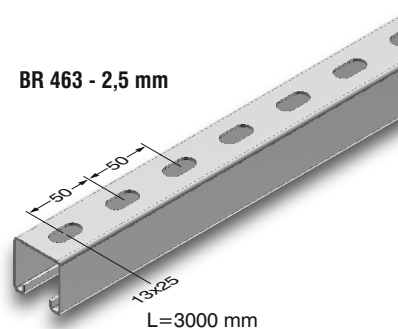
BR 462 - 2,5 mm



►► **BINRAK CHANNEL (41x41mm)**
Hot Dip Galvanized (TS EN ISO 1461)

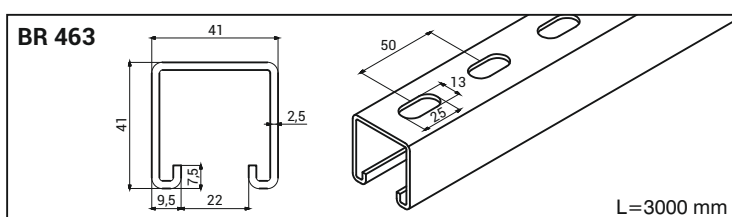
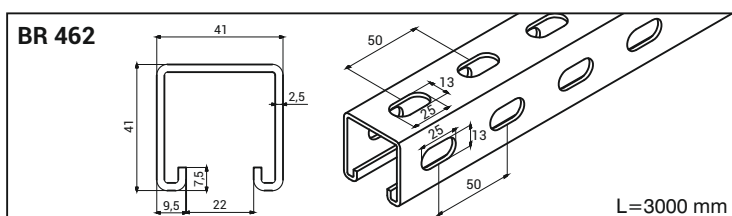
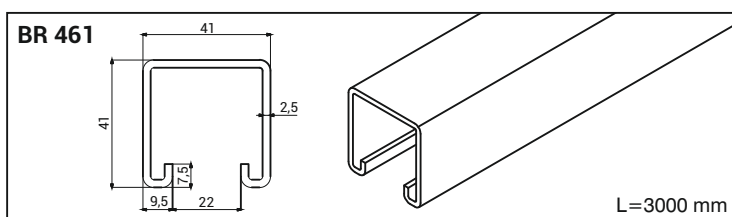
Description	T (mm)	Weight (kg./m.)	Order Code
BR 461 BINRAK	2,5	2,959	3005462
BR 462 BINRAK	2,5	2,575	3005315
BR 463 BINRAK	2,5	2,836	3006386

BR 463 - 2,5 mm



Profile Cross-sectional Properties	X-X				Y-Y		
	Cross-sectional area (cm ²)	Moment of Inertia I (cm ⁴)	Section Modulus S (cm ³)	Radius Of Gyration R (cm)	Moment of Inertia I (cm ⁴)	Section Modulus S (cm ³)	Radius Of Gyration R (cm)
BR 461	3,40	7,36	3,59	1,47	9,26	4,51	1,64
BR 462							
BR 463							

SAFE WORKING LOAD			
L (mm)	Deflexion (mm)	Point	Distributed
		F (kN)	F (kN)
500	2,50	3,20	5,12
750	3,75	2,55	4,08
1000	5,00	2,00	3,20
1250	6,25	1,55	2,48
1500	7,50	1,20	1,92
1750	8,75	1,02	1,63
2000	10,00	0,90	1,44
2250	11,25	0,74	1,18
2500	12,50	0,60	0,96
2750	13,75	0,50	0,80
3000	15,00	0,40	0,64



■ Maximum deflexion L/200 value is not exceeded in the indicated L (mm) size.

■ Please indicate the order code in your orders.

■ Please contact us for your orders with customized sizes.

■ Material weights may vary by ± 10%

►► BINRAK CHANNEL (41x41mm)

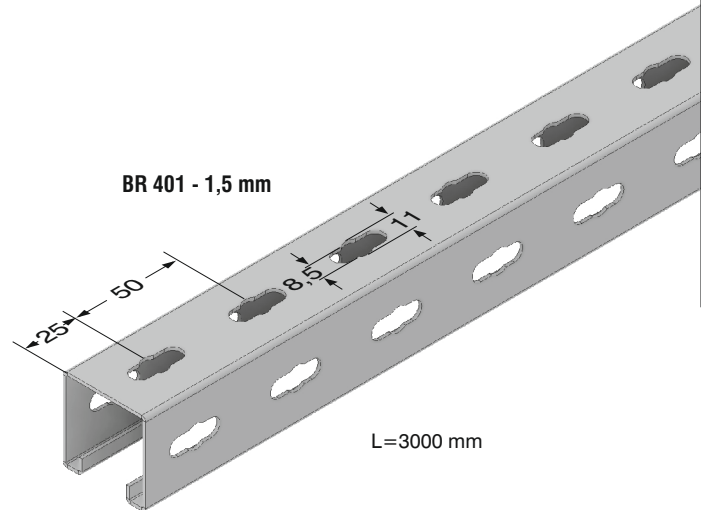
Pre-galvanized (TS EN 10346 - TS EN 10143)

Description	T (mm)	Weight (kg./m.)	Order Code
BR 401 BINRAK	1,5	1,587	3008328

►► BINRAK CHANNEL (41x41mm)

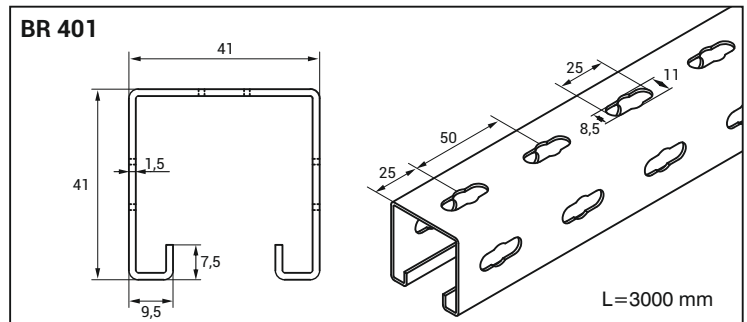
Hot Dip Galvanized (TS EN ISO 1461)

Description	T (mm)	Weight (kg./m.)	Order Code
BR 401 BINRAK	1,5	1,745	3008329



Profile Cross-sectional Properties		X-X			Y-Y		
Product	Cross-sectional area (cm ²)	Moment of Inertia I (cm ⁴)	Section Modulus S (cm ³)	Radius Of Gyration R (cm)	Moment of Inertia I (cm ⁴)	Section Modulus S (cm ³)	Radius Of Gyration R (cm)
BR 401	2,17	5,08	2,47	1,52	6,13	5,83	1,68

SAFE WORKING LOAD			
L (mm)	Deflexion (mm)	Point F (kN)	Distributed F (kN)
500	2,50	1,40	2,24
750	3,75	1,30	2,08
1000	5,00	1,20	1,92
1250	6,25	1,06	1,69
1500	7,50	0,90	1,44
1750	8,75	0,68	1,08
2000	10,00	0,50	0,80
2250	11,25	0,38	0,60
2500	12,50	0,30	0,48
2750	13,75	0,24	0,38
3000	15,00	0,20	0,32



■ Maximum deflexion L/200 value is not exceeded in the indicated L (mm) size.

■ Please indicate the order code in your orders.

■ Please contact us for your orders with customized sizes.

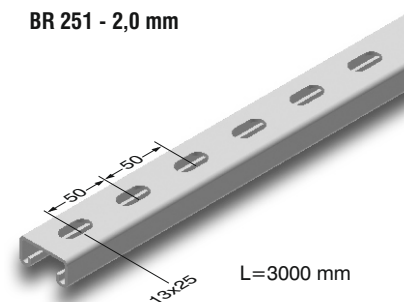
■ Material weights may vary by ± 10%

►► BINRAK CHANNEL (41x21mm)

Pre-galvanized (TS EN 10346 - TS EN 10143)

Description	T (mm)	Weight (kg./m.)	Order Code
BR 251 BINRAK	2,0	1,477	3006387
BR 252 BINRAK	2,0	1,568	3006391

BR 251 - 2,0 mm

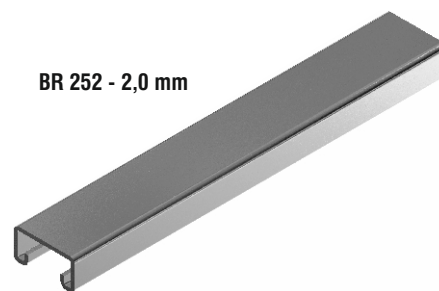


►► BINRAK CHANNEL (41x21mm)

Hot Dip Galvanized (TS EN ISO 1461)

Description	T (mm)	Weight (kg./m.)	Order Code
BR 251 BINRAK	2,0	1,624	3006388
BR 252 BINRAK	2,0	1,725	3006392

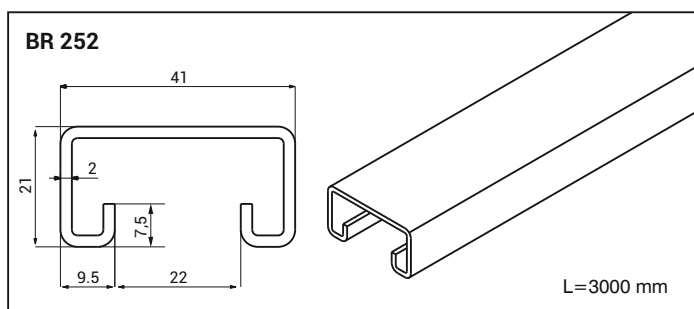
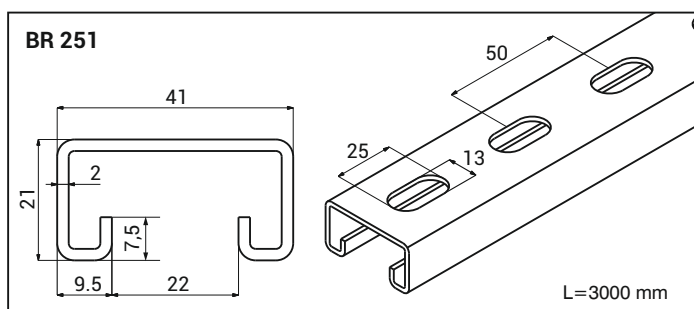
BR 252 - 2,0 mm



L=3000 mm

Profile Cross-sectional Properties		X-X			Y-Y		
Product	Cross-sectional area (cm ²)	Moment of Inertia I (cm ⁴)	Section Modulus S (cm ³)	Radius Of Gyration R (cm)	Moment of Inertia I (cm ⁴)	Section Modulus S (cm ³)	Radius Of Gyration R (cm)
BR 251 - BR 252	1,99	1,17	1,11	0,76	4,70	4,47	1,53

SAFE WORKING LOAD			
L (mm)	Deflexion (mm)	Point F (kN)	Distributed F (kN)
500	2,50	1,10	1,76
750	3,75	0,80	1,28
1000	5,00	0,54	0,86
1250	6,25	0,36	0,57
1500	7,50	0,25	0,40
1750	8,75	0,17	0,27
2000	10,00	0,12	0,23
2250	11,25	0,10	0,16
2500	12,50	0,09	0,14
2750	13,75	0,08	0,12
3000	15,00	0,07	0,11



■ Maximum deflexion L/200 value is not exceeded in the indicated L (mm) size.

■ Please indicate the order code in your orders.

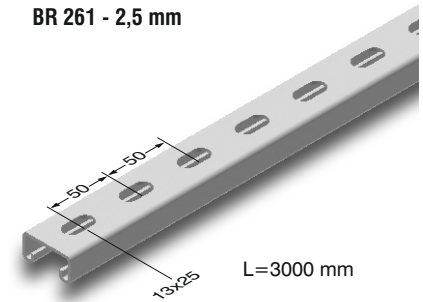
■ Please contact us for your orders with customized sizes.

■ Material weights may vary by ± 10%

►► BINRAK CHANNEL (41x21mm)
Pre-galvanized (TS EN 10346 - TS EN 10143)

Description	T (mm)	Weight (kg./m.)	Order Code
BR 261 BINRAK	2,5	1,776	3008372
BR 262 BINRAK	2,5	1,888	3006393

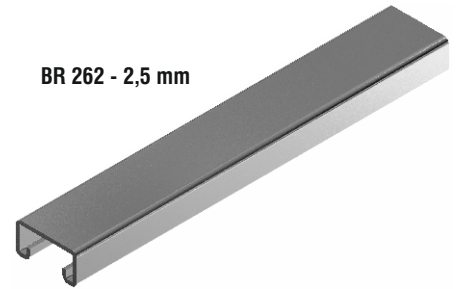
BR 261 - 2,5 mm



►► BINRAK CHANNEL (41x21mm)
Hot Dip Galvanized (TS EN ISO 1461)

Description	T (mm)	Weight (kg./m.)	Order Code
BR 261 BINRAK	2,5	1,952	3008373
BR 262 BINRAK	2,5	2,077	3006394

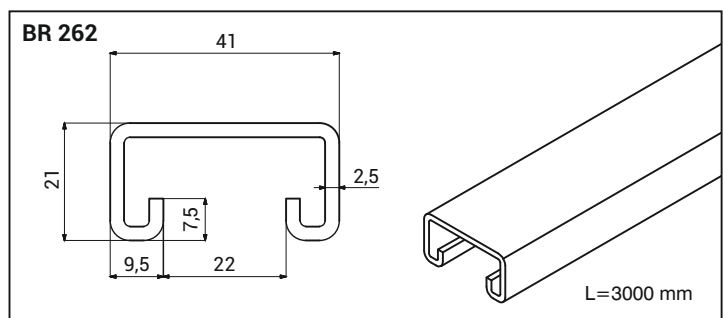
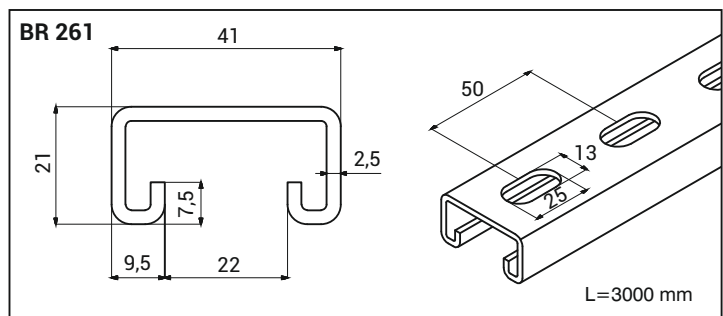
BR 262 - 2,5 mm



L=3000 mm

Profile Cross-sectional Properties	X-X				Y-Y		
	Cross-sectional area (cm ²)	Moment of Inertia I (cm ⁴)	Section Modulus S (cm ³)	Radius Of Gyration R (cm)	Moment of Inertia I (cm ⁴)	Section Modulus S (cm ³)	Radius Of Gyration R (cm)
BR 261 - BR 262	2,40	1,32	1,25	0,74	5,54	5,27	1,51

SAFE WORKING LOAD			
L (mm)	Deflexion (mm)	Point F (kN)	Distributed F (kN)
500	2,50	1,20	1,92
750	3,75	0,88	1,40
1000	5,00	0,60	0,96
1250	6,25	0,44	0,70
1500	7,50	0,32	0,51
1750	8,75	0,23	0,36
2000	10,00	0,17	0,27
2250	11,25	0,14	0,22
2500	12,50	0,11	0,17
2750	13,75	0,09	0,14
3000	15,00	0,08	0,12



■ Maximum deflexion L/200 value is not exceeded in the indicated L (mm) size.

■ Please indicate the order code in your orders.

■ Please contact us for your orders with customized sizes.

■ Material weights may vary by ± 10%

►► BINRAK CHANNEL (41x21mm)

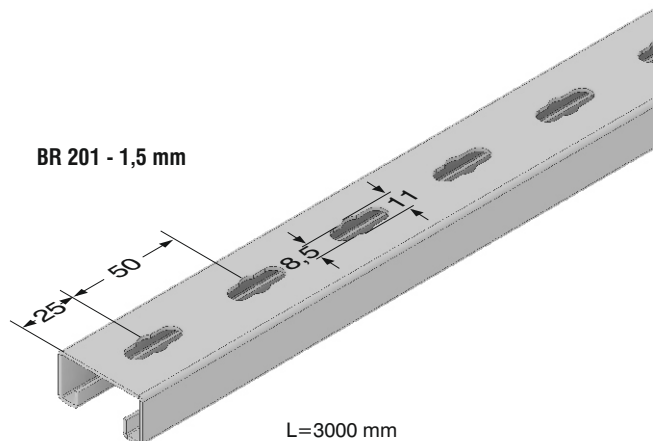
Pre-galvanized (TS EN 10346 - TS EN 10143)

Description	T (mm)	Weight (kg./m.)	Order Code
BR 201 BINRAK	1,5	1,207	3008330

►► BINRAK CHANNEL (41x21mm)

Hot Dip Galvanized (TS EN ISO 1461)

Description	T (mm)	Weight (kg./m.)	Order Code
BR 201 BINRAK	1,5	1,327	3008331

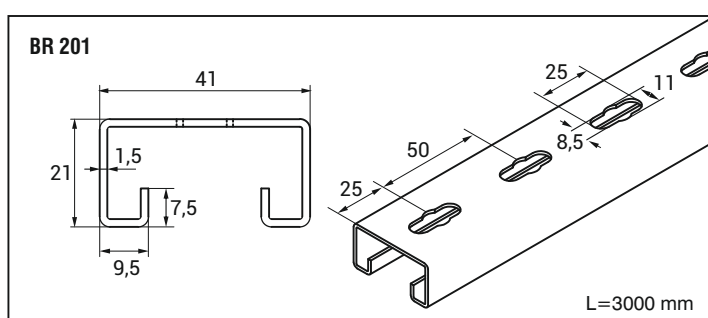


Profile Cross-sectional Properties

Product	Cross-sectional area (cm ²)	X-X			Y-Y		
		Moment of Inertia I (cm ⁴)	Section Modulus S (cm ³)	Radius Of Gyration R (cm)	Moment of Inertia I (cm ⁴)	Section Modulus S (cm ³)	Radius Of Gyration R (cm)
BR 201	1,60	1,01	0,96	0,79	3,89	3,70	1,55

SAFE WORKING LOAD

L (mm)	Deflexion (mm)	Point		Distributed	
		F (kN)	F (kN)	F (kN)	F (kN)
500	2,50	0,72	1,15		
750	3,75	0,52	0,83		
1000	5,00	0,35	0,56		
1250	6,25	0,27	0,43		
1500	7,50	0,19	0,30		
1750	8,75	0,13	0,20		
2000	10,00	0,09	0,14		



■ Maximum deflexion L/200 value is not exceeded in the indicated L (mm) size.

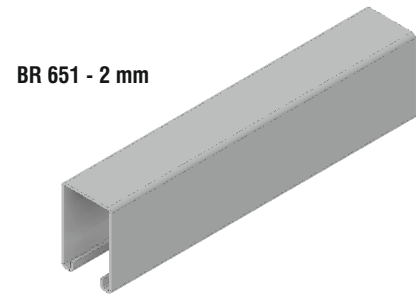
■ Please indicate the order code in your orders.

■ Please contact us for your orders with customized sizes.

■ Material weights may vary by $\pm 10\%$

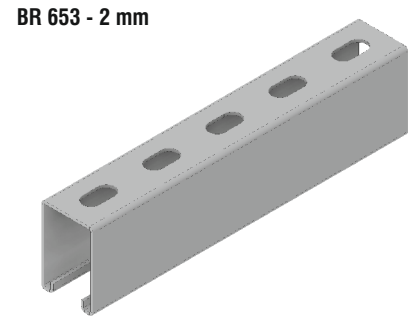
►► **BINRAK CHANNEL (41x61mm)**
Pre-galvanized (TS EN 10346 - TS EN 10143)

Description	T (mm)	Weight (kg./m.)	Order Code
BR 651 BINRAK	2	2,779	3184140
BR 653 BINRAK	2	2,668	3184138



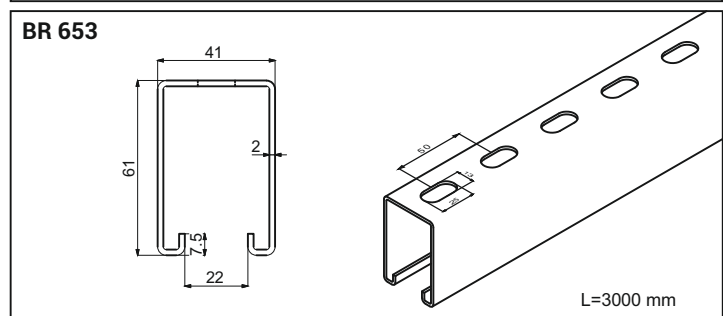
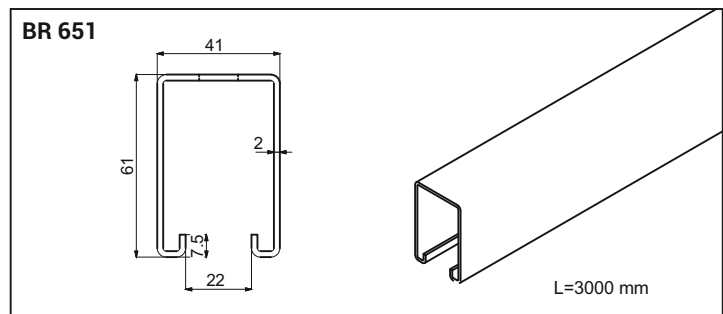
►► **BINRAK CHANNEL (41x61mm)**
Hot Dip Galvanized (TS EN ISO 1461)

Description	T (mm)	Weight (kg./m.)	Order Code
BR 651 BINRAK	2	3,057	3184117
BR 653 BINRAK	2	2,957	3184124



Profile Cross-sectional Properties	X-X				Y-Y		
	Cross-sectional area (cm ²)	Moment of Inertia I (cm ⁴)	Section Modulus S (cm ³)	Radius Of Gyration R (cm)	Moment of Inertia I (cm ⁴)	Section Modulus S (cm ³)	Radius Of Gyration R (cm)
BR 651 - BR 653	3,54	16,71	5,07	1,73	10,71	5,22	2,16

SAFE WORKING LOAD			
L (mm)	Deflexion (mm)	Point F (kN)	Distributed F (kN)
500	2,50	5,50	7,00
750	3,75	4,00	6,00
1000	5,00	3,00	5,50
1250	6,25	2,40	4,80
1500	7,50	2,00	4,00
1750	8,75	1,70	3,50
2000	10,00	1,50	3,00
2250	11,25	1,30	2,40
2500	12,50	1,10	2,00
2750	13,75	1,00	1,65
3000	15,00	0,80	1,50



■ Maximum deflexion L/200 value is not exceeded in the indicated L (mm) size.

■ Please indicate the order code in your orders.

■ Please contact us for your orders with customized sizes.

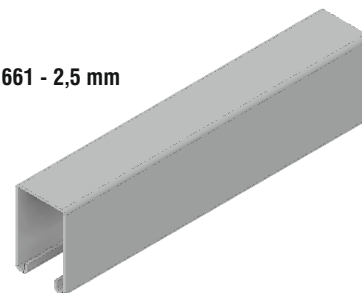
■ Material weights may vary by ± 10%

►► BINRAK CHANNEL (41x61mm)

Pre-galvanized (TS EN 10346 - TS EN 10143)

Description	T (mm)	Weight (kg./m.)	Order Code
BR 661 BINRAK	2,5	3,474	3174141
BR 663 BINRAK	2,5	3,36	3184139

BR 661 - 2,5 mm

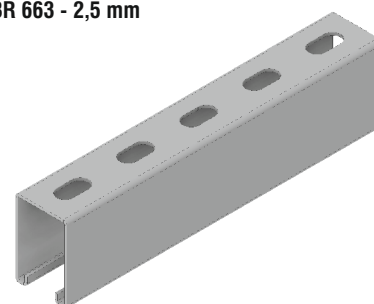


►► BINRAK CHANNEL (41x61mm)

Hot Dip Galvanized (TS EN ISO 1461)

Description	T (mm)	Weight (kg./m.)	Order Code
BR 661 BINRAK	2,5	3,821	3184118
BR 663 BINRAK	2,5	3,696	3184125

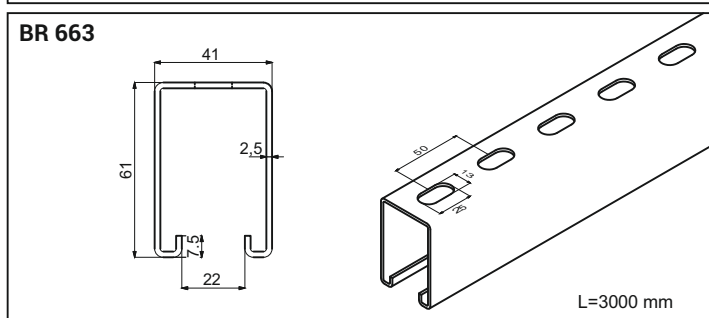
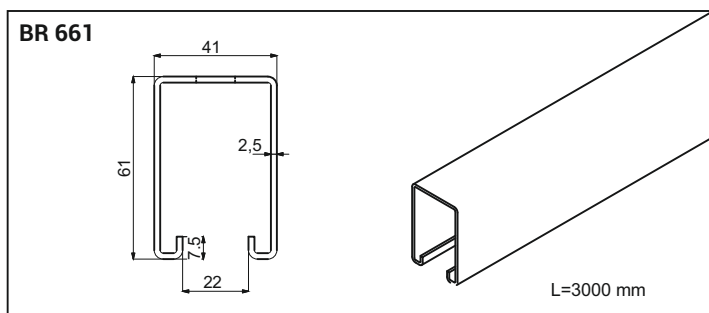
BR 663 - 2,5 mm



Profile Cross-sectional Properties	X-X				Y-Y		
	Cross-sectional area (cm ²)	Moment of Inertia I (cm ⁴)	Section Modulus S (cm ³)	Radius Of Gyration R (cm)	Moment of Inertia I (cm ⁴)	Section Modulus S (cm ³)	Radius Of Gyration R (cm)
BR 661 - BR 663	4,43	20,21	6,12	1,71	12,96	6,32	2,14

SAFE WORKING LOAD

L (mm)	Deflexion (mm)	Point	Distributed
		F (kN)	F (kN)
500	2,50	5,75	8,00
750	3,75	4,50	7,00
1000	5,00	3,60	6,50
1250	6,25	2,90	5,50
1500	7,50	2,40	4,80
1750	8,75	2,00	4,20
2000	10,00	1,80	3,50
2250	11,25	1,60	3,00
2500	12,50	1,50	2,50
2750	13,75	1,30	2,15
3000	15,00	1,10	1,80



■ Maximum deflexion L/200 value is not exceeded in the indicated L (mm) size.

■ Please indicate the order code in your orders.

■ Please contact us for your orders with customized sizes.

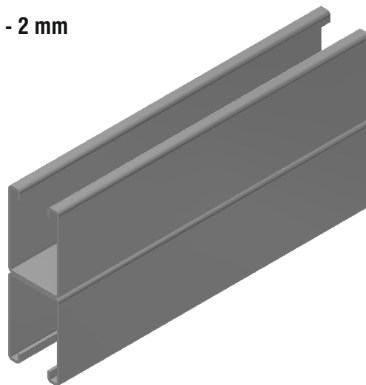
■ Material weights may vary by $\pm 10\%$

▶▶ BINRAK CHANNEL (41x122mm)

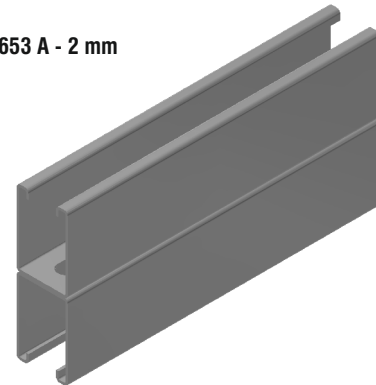
Hot Dip Galvanized (TS EN ISO 1461)

Description	T (mm)	Weight (kg./m.)	Order Code
BR 651 A BINRAK	2	6,114	3184119
BR 653 A BINRAK	2	5,914	3184121

BR 651 A - 2 mm



BR 653 A - 2 mm

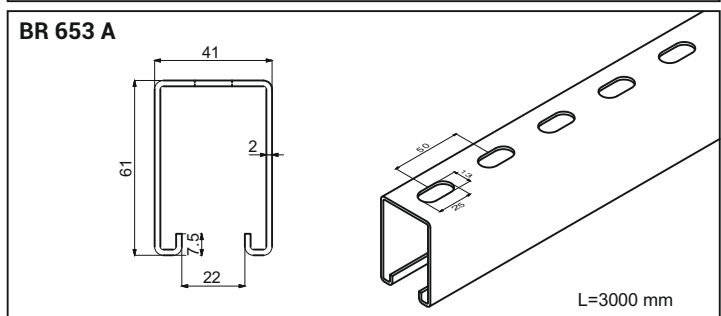
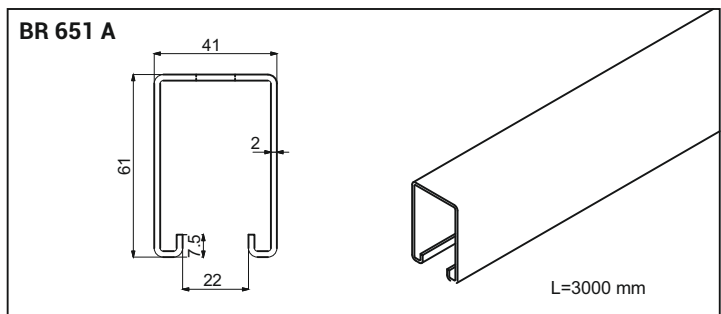


Profile Cross-sectional Properties

Product	Cross-sectional area (cm ²)	X-X			Y-Y		
		Moment of Inertia I (cm ⁴)	Section Modulus S (cm ³)	Radius Of Gyration R (cm)	Moment of Inertia I (cm ⁴)	Section Modulus S (cm ³)	Radius Of Gyration R (cm)
BR 651 - BR 653	7,08	89,78	14,71	1,73	21,42	10,44	3,54

SAFE WORKING LOAD

L (mm)	Deflexion (mm)	Point	Distributed
		F (kN)	F (kN)
500	2,50	12,00	15,00
750	3,75	9,00	13,50
1000	5,00	7,50	11,50
1250	6,25	6,50	10,00
1500	7,50	5,75	9,00
1750	8,75	5,00	8,00
2000	10,00	4,40	7,00
2250	11,25	3,90	6,20
2500	12,50	3,50	5,60
2750	13,75	3,00	4,80
3000	15,00	2,50	4,00



■ Maximum deflexion L/200 value is not exceeded in the indicated L (mm) size.

■ Please indicate the order code in your orders.

■ Please contact us for your orders with customized sizes.

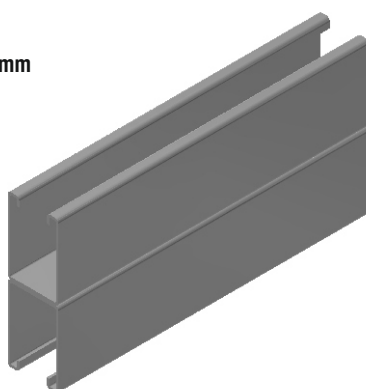
■ Material weights may vary by ± 10%

►► BINRAK CHANNEL (41x122mm)

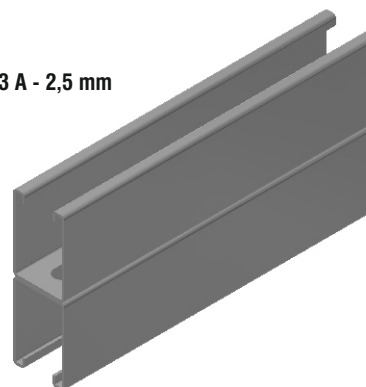
Hot Dip Galvanized (TS EN ISO 1461)

Description	T (mm)	Weight (kg./m.)	Order Code
BR 661 A BINRAK	2,5	7,643	3184120
BR 663 A BINRAK	2,5	7,392	3184122

BR 661 A - 2,5 mm



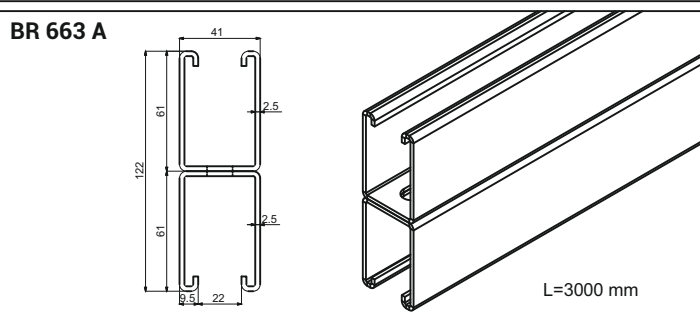
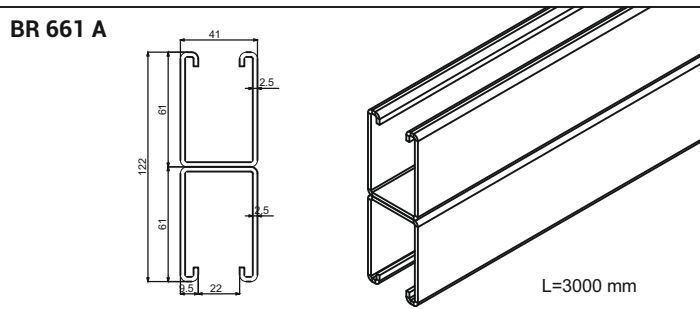
BR 663 A - 2,5 mm



Profile Cross-sectional Properties	X-X				Y-Y		
	Cross-sectional area (cm ²)	Moment of Inertia I (cm ⁴)	Section Modulus S (cm ³)	Radius Of Gyration R (cm)	Moment of Inertia I (cm ⁴)	Section Modulus S (cm ³)	Radius Of Gyration R (cm)
BR 661 A - BR 663 A	8,86	109,33	17,92	1,71	25,93	12,64	1,71

SAFE WORKING LOAD

L (mm)	Deflexion (mm)	Point	Distributed
		F (kN)	F (kN)
500	2,50	14,00	17,00
750	3,75	10,50	16,00
1000	5,00	9,00	13,50
1250	6,25	8,00	12,00
1500	7,50	7,00	10,50
1750	8,75	6,00	9,50
2000	10,00	5,25	8,40
2250	11,25	4,75	7,40
2500	12,50	4,30	6,50
2750	13,75	3,90	5,50
3000	15,00	3,00	4,80



■ Maximum deflexion L/200 value is not exceeded in the indicated L (mm) size.

■ Please indicate the order code in your orders.

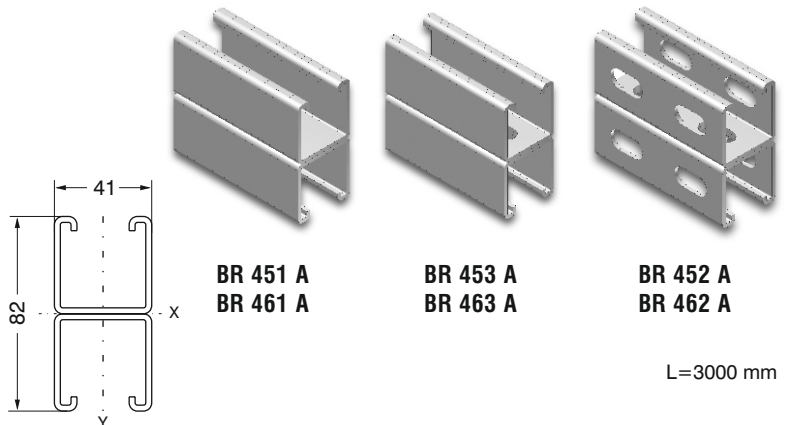
■ Please contact us for your orders with customized sizes.

■ Material weights may vary by $\pm 10\%$

►► BINRAK DOUBLE CHANNEL (41x82mm)

Hot Dip Galvanized (TS EN ISO 1461)

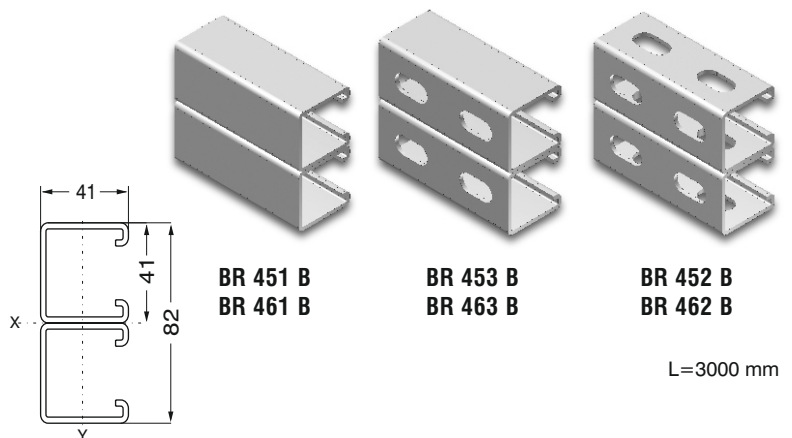
Description	Weight (kg./m.)	Order Code
BR 451 A (41x82x2mm)	4,901	3000219
BR 461 A (41x82x2,5mm)	6,010	3000220
BR 453 A (41x82x2mm)	4,668	3000221
BR 463 A (41x82x2,5mm)	5,672	3000222
BR 452 A (41x82x2mm)	4,259	3000223
BR 462 A (41x82x2,5mm)	5,150	3000224



►► BINRAK DOUBLE CHANNEL (41x82mm)

Hot Dip Galvanized (TS EN ISO 1461)

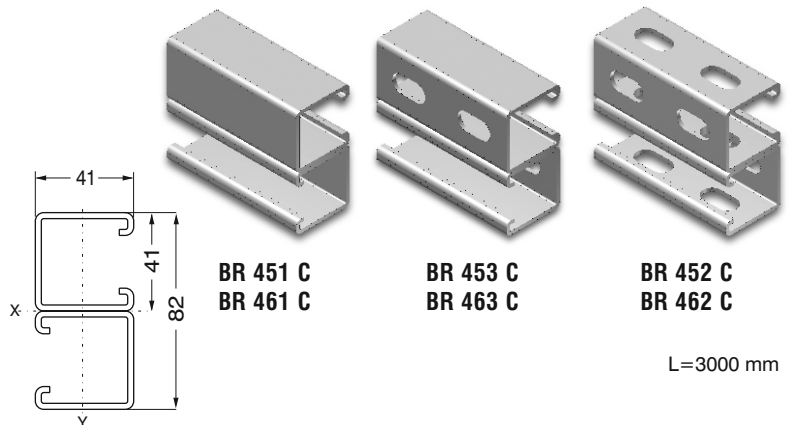
Description	Weight (kg./m.)	Order Code
BR 451 B (41x82x2mm)	4,901	3000225
BR 461 B (41x82x2,5mm)	6,010	3000226
BR 453 B (41x82x2mm)	4,668	3000227
BR 463 B (41x82x2,5mm)	5,672	3000228
BR 452 B (41x82x2mm)	4,259	3000229
BR 462 B (41x82x2,5mm)	5,150	3000230



►► BINRAK DOUBLE CHANNEL (41x82mm)

Hot Dip Galvanized (TS EN ISO 1461)

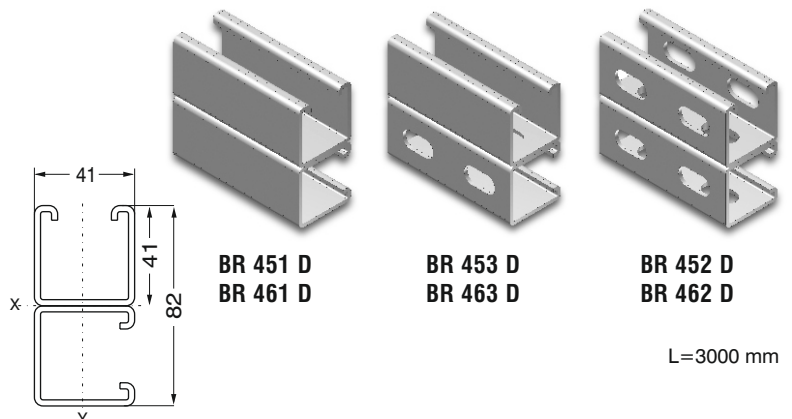
Description	Weight (kg./m.)	Order Code
BR 451 C (41x82x2mm)	4,901	3000231
BR 461 C (41x82x2,5mm)	6,010	3000232
BR 453 C (41x82x2mm)	4,668	3000233
BR 463 C (41x82x2,5mm)	5,672	3000234
BR 452 C (41x82x2mm)	4,259	3000235
BR 462 C (41x82x2,5mm)	5,150	3000236



►► BINRAK DOUBLE CHANNEL (41x82mm)

Hot Dip Galvanized (TS EN ISO 1461)

Description	Weight (kg./m.)	Order Code
BR 451 D (41x82x2mm)	4,901	3000237
BR 461 D (41x82x2,5mm)	6,010	3000238
BR 453 D (41x82x2mm)	4,668	3000239
BR 463 D (41x82x2,5mm)	5,672	3000240
BR 452 D (41x82x2mm)	4,259	3000241
BR 462 D (41x82x2,5mm)	5,150	3000242



■ Please indicate order code in your orders.

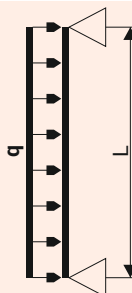
■ Please contact us for special size.

■ Material weights may vary by ± 10%

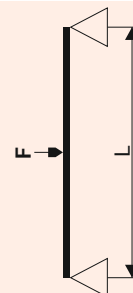
▶▶ MAXIMUM LOAD FOR BINRAK PROFILES

Profile Thickness (t)	41X21			41X41			41X61				
	1,5mm	2mm	2,5mm	1,5mm	2mm	2,5mm	2mm	2,5mm			
	BR 201	BR 251	BR 261	BR 401	BR 451 BR 452 BR 453	BR 461 BR 462 BR 463	BR 651 BR 653	BR 661 BR 663			
Profile Length L (mm)	500	750	1000	1250	1500	1750	2000	2250	2500	2750	3000
Vertical Deviation (max. L/200) (mm)	2,50	3,75	5,00	6,25	7,50	8,75	10,00	11,25	12,50	13,75	15,00
	115	176	192	224	288	320	376	480	512	524	512
	83	128	140	208	288	320	376	480	408	408	408
	56	86	96	192	288	320	288	288	320	320	320
	43	57	70	169	232	248	232	232	248	248	248
	30	40	51	144	192	192	192	192	192	192	192
	20	27	36	108	152	163	152	152	163	163	163
	14	24	27	80	115	144	115	115	144	144	144
	-	16	22	60	88	118	88	88	118	118	118
	-	14	17	48	70	96	70	70	96	96	96
	-	12	14	38	56	80	56	56	80	80	80
	-	11	12	32	48	64	48	48	64	64	64
Profile Length L (mm)	500	750	1000	1250	1500	1750	2000	2250	2500	2750	3000
Vertical Deviation (max. L/200) (mm)	2,50	3,75	5,00	6,25	7,50	8,75	10,00	11,25	12,50	13,75	15,00
	72	110	120	140	300	320	300	300	320	320	320
	52	80	88	130	235	255	235	235	255	255	255
	35	54	60	120	180	200	180	180	200	200	200
	27	36	44	106	145	155	145	145	155	155	155
	19	25	32	90	120	120	120	120	120	120	120
	13	17	23	68	95	102	95	95	102	102	102
	9	12	17	50	72	90	72	72	90	90	90
	-	10	14	38	55	75	55	55	75	75	75
	-	9	11	30	44	60	44	44	60	60	60
	-	8	9	24	35	50	35	35	50	50	50
	-	7	8	20	30	40	30	30	40	40	40
	-	-	8	20	30	40	30	30	40	40	40
	-	-	7	20	30	40	30	30	40	40	40

DISTRIBUTED LOAD



POINT LOAD



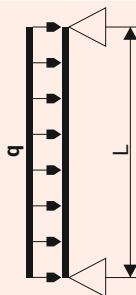
- Please indicate order code in your orders.
- Please contact us for special size.

- Material weights may vary by $\pm 10\%$

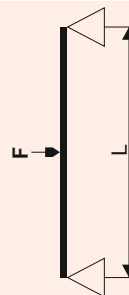
▶▶ MAXIMUM LOAD FOR BINRAK PROFILES

Profile Thickness (t)	82X41		122X41		q (kg)	F (kg)
	2mm	2,5 mm	2 mm	2,5 mm		
BR 451 A BR 452 A BR 453 A	BR 461 A BR 462 A BR 463 A	BR 651 A BR 653 A	BR 661 A BR 663 A			
Profile Length L (mm)	500	750	1000	1250	1500	1700
Vertical Deviation (max. L/200) (mm)	2,50	3,75	5,00	6,25	7,50	8,75
q (kg)	960	832	704	608	528	456
F (kg)	600	520	440	380	330	285
Profile Length L (mm)	500	750	1000	1250	1500	1700
Vertical Deviation (max. L/200) (mm)	2,50	3,75	5,00	6,25	7,50	8,75
q (kg)	1500	1350	1150	1000	900	800
F (kg)	1200	900	750	650	575	500
Profile Length L (mm)	500	750	1000	1250	1500	1700
Vertical Deviation (max. L/200) (mm)	2,50	3,75	5,00	6,25	7,50	8,75
q (kg)	1120	976	832	712	608	512
F (kg)	700	610	520	445	380	320
Profile Length L (mm)	500	750	1000	1250	1500	1700
Vertical Deviation (max. L/200) (mm)	2,50	3,75	5,00	6,25	7,50	8,75
q (kg)	960	832	704	608	528	456
F (kg)	600	520	440	380	330	285

DISTRIBUTED LOAD



DISTRIBUTED LOAD



■ Please indicate order code in your orders.

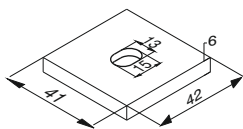
■ Please contact us for special size.

■ Material weights may vary by $\pm 10\%$

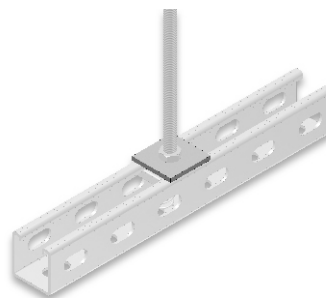
►► BINRAK FITTING ACCESSORIES

Hot Dip Galvanized (TS EN ISO 1461)

Description	T (mm)	Weight (kg./pc.)	Order Code
BR 1-1 Square Washer	6	0,080	3000218



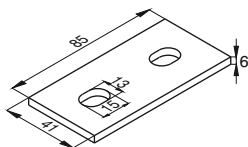
BR 1-1



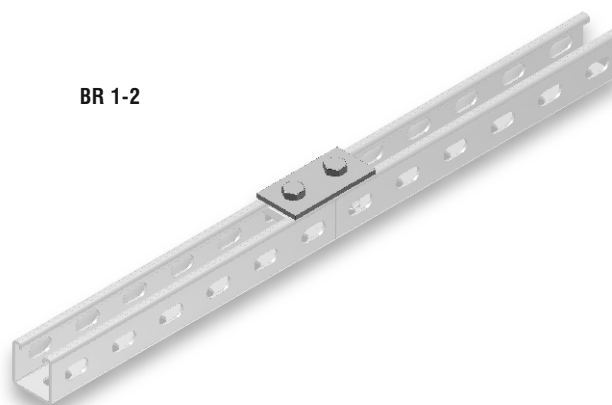
►► BINRAK FITTING ACCESSORIES

Hot Dip Galvanized (TS EN ISO 1461)

Description	T (mm)	Weight (kg./pc.)	Order Code
BR 1-2 Two Hole Fitting	6	0,166	3000183



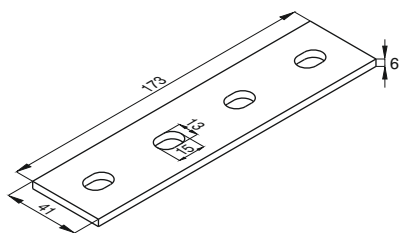
BR 1-2



►► BINRAK FITTING ACCESSORIES

Hot Dip Galvanized (TS EN ISO 1461)

Description	T (mm)	Weight (kg./pc.)	Order Code
BR 1-3 Four Hole Fitting	6	0,330	3000184



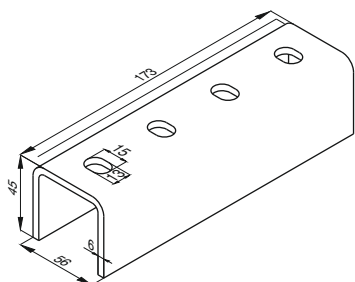
BR 1-3



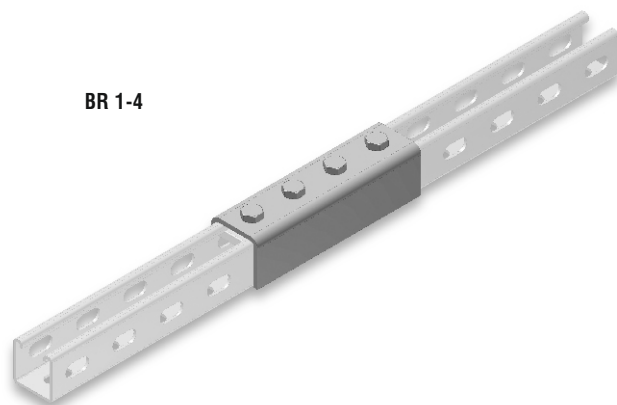
►► BINRAK FITTING ACCESSORIES

Hot Dip Galvanized (TS EN ISO 1461)

Description	T (mm)	Weight (kg./pc.)	Order Code
BR 1-4 Four Hole Tunnel Fit.	6	1,138	3000185



BR 1-4



■ Please indicate order code in your orders.

■ Please contact us for special size.

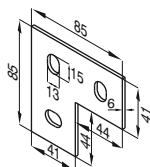
■ For installation, M10 bolts and nuts should be ordered

■ Material weights may vary by $\pm 10\%$

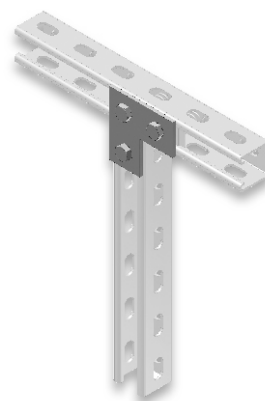
BINRAK FITTING ACCESSORIES

Hot Dip Galvanized (TS EN ISO 1461)

Description	T (mm)	Weight (kg./pc.)	Order Code
BR 1-5 L Fitting	6	0,249	3000192



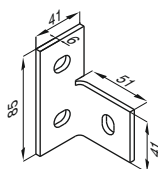
BR 1-5



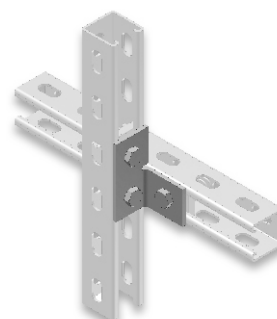
BINRAK FITTING ACCESSORIES

Hot Dip Galvanized (TS EN ISO 1461)

Description	T (mm)	Weight (kg./pc.)	Order Code
BR 1-6 L Side Fitting	6	0,254	3000195



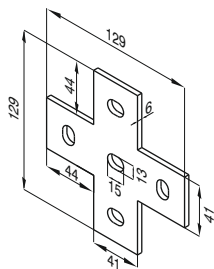
BR 1-6



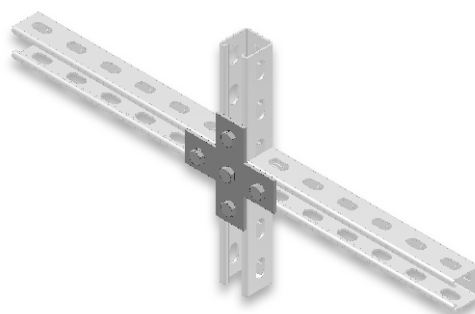
BINRAK FITTING ACCESSORIES

Hot Dip Galvanized (TS EN ISO 1461)

Description	T (mm)	Weight (kg./pc.)	Order Code
BR 1-7 "+" Fitting	6	0,410	3000194



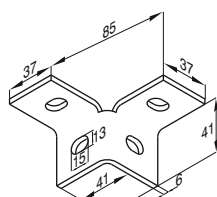
BR 1-7



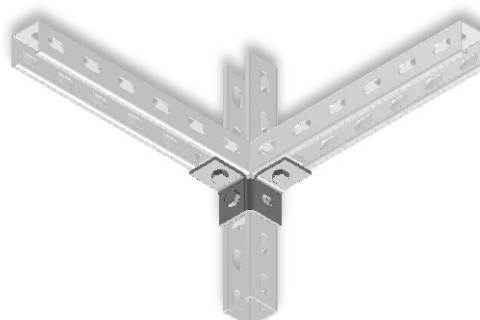
BINRAK FITTING ACCESSORIES

Hot Dip Galvanized (TS EN ISO 1461)

Description	T (mm)	Weight (kg./pc.)	Order Code
BR 1-8 "W" Side Fitting	6	0,327	3000188



BR 1-8



■ Please indicate order code in your orders.

■ Please contact us for special size.

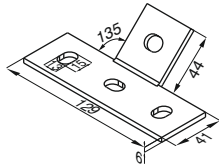
■ For installation, M10 bolts and nuts should be ordered

■ Material weights may vary by $\pm 10\%$

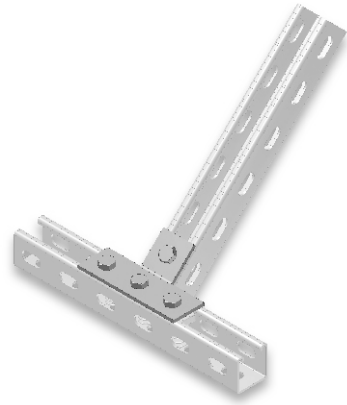
BINRAK FITTING ACCESSORIES

Hot Dip Galvanized (TS EN ISO 1461)

Description	T (mm)	Weight (kg./pc.)	Order Code
BR 1-13 T 45° Fitting	6	0,320	3000196



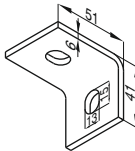
BR 1-13



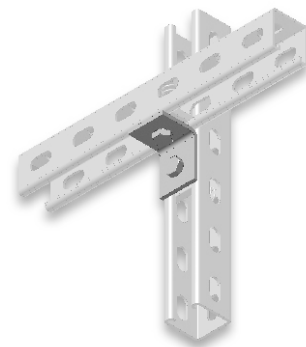
BINRAK FITTING ACCESSORIES

Hot Dip Galvanized (TS EN ISO 1461)

Description	T (mm)	Weight (kg./pc.)	Order Code
BR 1-14 L Bend Two Hole Fit.	6	0,160	3000198



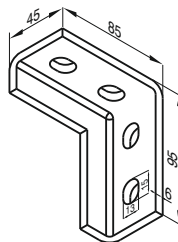
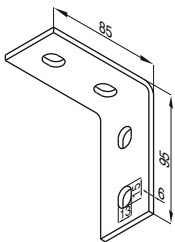
BR 1-14



BINRAK FITTING ACCESSORIES

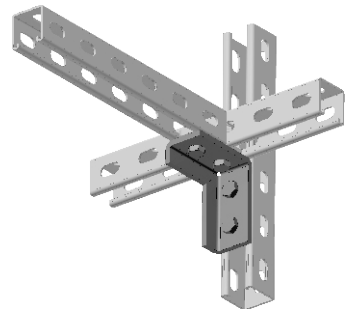
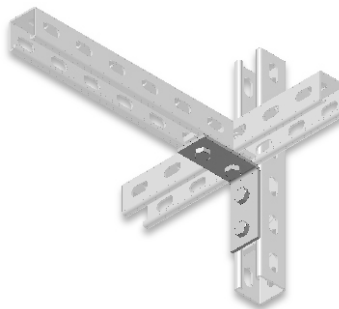
Hot Dip Galvanized (TS EN ISO 1461)

Description	T (mm)	Weight (kg./pc.)	Order Code
BR 1-15 L Bend Four Hole Fit.	6	0,323	3000203
BR 1-36 Flag L Bend Four Hole Fit.	6	0,482	3125796



BR 1-15

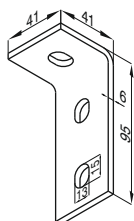
BR 1-36



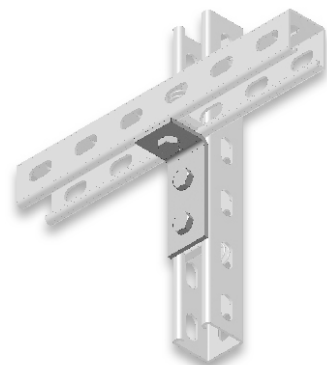
BINRAK FITTING ACCESSORIES

Hot Dip Galvanized (TS EN ISO 1461)

Description	T (mm)	Weight (kg./pc.)	Order Code
BR 1-16 L Bend Three Hole Fit.	6	0,239	3000199



BR 1-16



■ Please indicate order code in your orders.

■ Please contact us for special size.

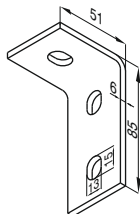
■ For installation, M10 bolts and nuts should be ordered

■ Material weights may vary by ± 10%

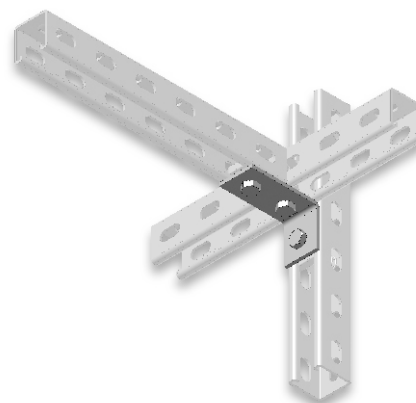
►► BINRAK FITTING ACCESSORIES

Hot Dip Galvanized (TS EN ISO 1461)

Description	T (mm)	Weight (kg./pc.)	Order Code
BR 1-17 L Bend Three Hole Fit. 2	6	0,239	3000197



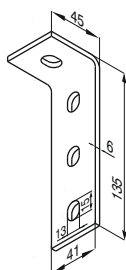
BR 1-17



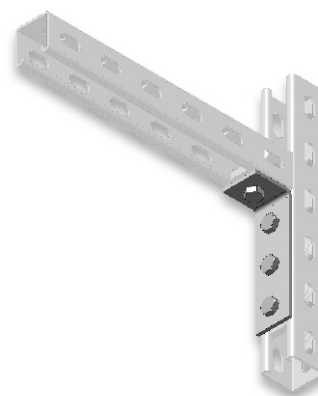
►► BINRAK FITTING ACCESSORIES

Hot Dip Galvanized (TS EN ISO 1461)

Description	T (mm)	Weight (kg./pc.)	Order Code
BR 1-18 L Bend Four Hole Fit. 2	6	0,323	3000204



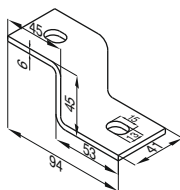
BR 1-18



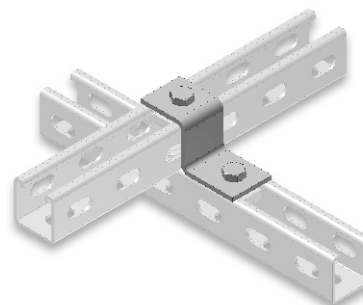
►► BINRAK FITTING ACCESSORIES

Hot Dip Galvanized (TS EN ISO 1461)

Description	T (mm)	Weight (kg./pc.)	Order Code
BR 1-19 Z Fitting 1	6	0,239	3000200



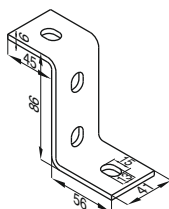
BR 1-19



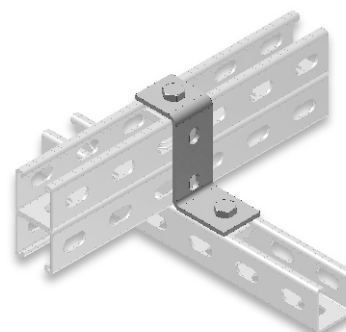
►► BINRAK FITTING ACCESSORIES

Hot Dip Galvanized (TS EN ISO 1461)

Description	T (mm)	Weight (kg./pc.)	Order Code
BR 1-20 Z Fitting 2	6	0,315	3000201



BR 1-20



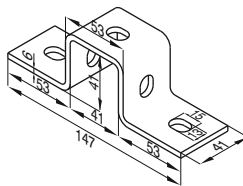
- Please indicate order code in your orders.
- Please contact us for special size.

- For installation, M10 bolts and nuts should be ordered
- Material weights may vary by $\pm 10\%$

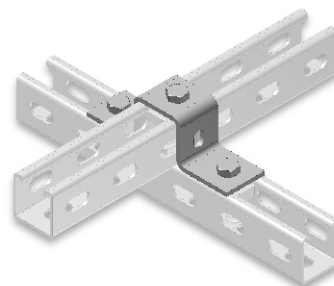
►► BINRAK FITTING ACCESSORIES

Hot Dip Galvanized (TS EN ISO 1461)

Description	T (mm)	Weight (kg./pc.)	Order Code
BR 1-21 U Omega Fit. 1	6	0,420	3000202



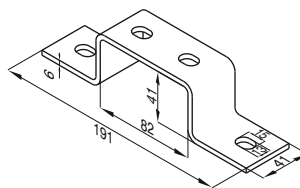
BR 1-21



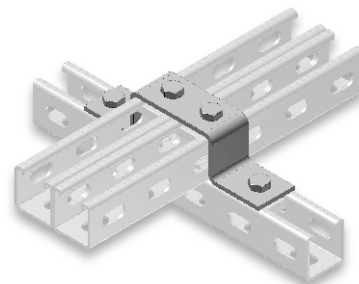
►► BINRAK FITTING ACCESSORIES

Hot Dip Galvanized (TS EN ISO 1461)

Description	T (mm)	Weight (kg./pc.)	Order Code
BR 1-22 U Omega Fit. 2	6	0,490	3000189



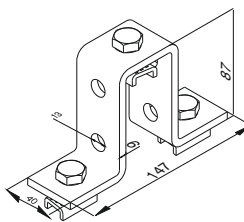
BR 1-22



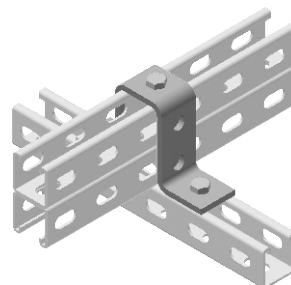
►► BINRAK FITTING ACCESSORIES

Hot Dip Galvanized (TS EN ISO 1461)

Description	T (mm)	Weight (kg./pc.)	Order Code
BR 1-35 U Omega Fit. 3	6	0,576	3106387



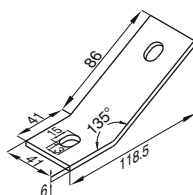
BR 1-35



►► BINRAK FITTING ACCESSORIES

Hot Dip Galvanized (TS EN ISO 1461)

Description	T (mm)	Weight (kg./pc.)	Order Code
BR 1-23 135° Bend Fitting	6	0,251	3000191



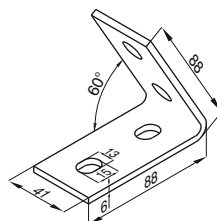
BR 1-23



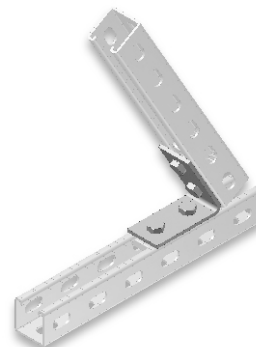
►► BINRAK FITTING ACCESSORIES

Hot Dip Galvanized (TS EN ISO 1461)

Description	T (mm)	Weight (kg./pc.)	Order Code
BR 1-24 60° Fitting	6	0,326	3000216



BR 1-24



■ Please indicate order code in your orders.

■ Please contact us for special size.

■ For installation, M10 bolts and nuts should be ordered

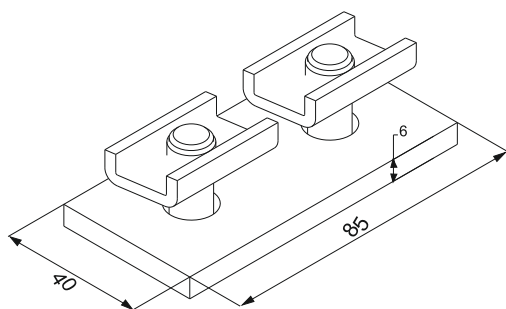
■ Material weights may vary by ± 10%



►► BINRAK MODULAR FITTING ACCESSORIES

Hot Dip Galvanized (TS EN ISO 1461)

Description	T (mm)	Weight (kg./pc.)	Order Code
BR 1-2 Two-hole, self-nut attachment	6	0,286	3136682



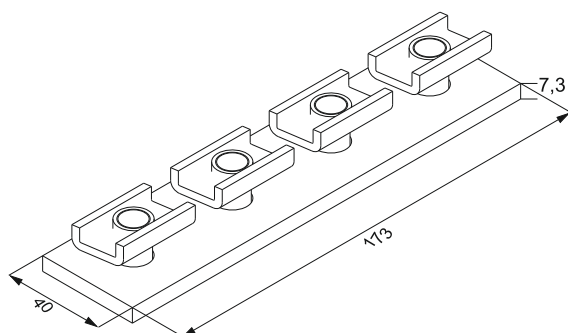
BR 1-2



►► BINRAK MODULAR FITTING ACCESSORIES

Hot Dip Galvanized (TS EN ISO 1461)

Description	T (mm)	Weight (kg./pc.)	Order Code
BR 1-3 Four-hole, self-nut attachment	6	0,570	3136683



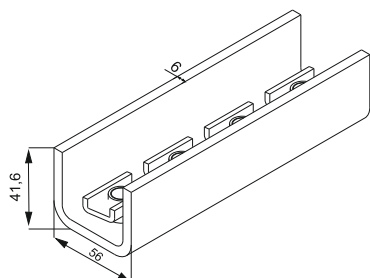
BR 1-3



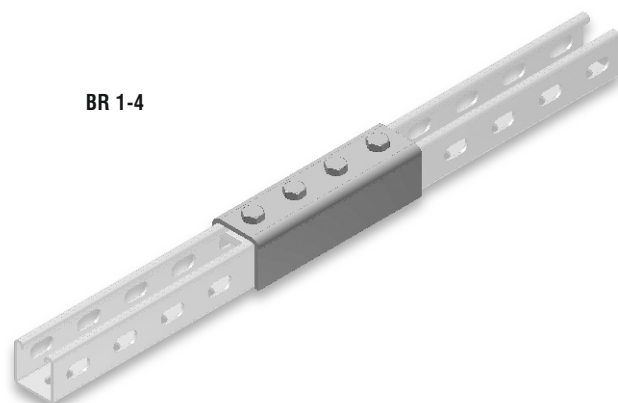
►► BINRAK MODULAR FITTING ACCESSORIES

Hot Dip Galvanized (TS EN ISO 1461)

Description	T (mm)	Weight (kg./pc.)	Order Code
BR 1-4 Four-hole tunnel, self-nut attachment	6	1,162	3000185



BR 1-4



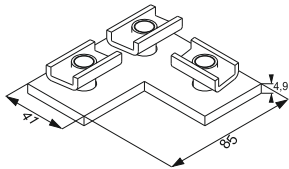
- Please indicate order code in your orders.
- Please contact us for special size.

- For installation, M10 bolts and nuts should be ordered
- Material weights may vary by $\pm 10\%$

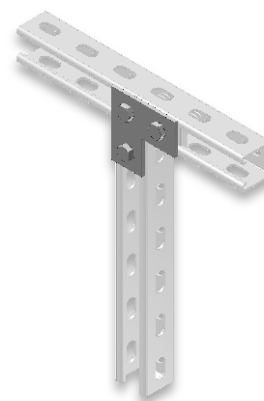
►► BINRAK MODULAR FITTING ACCESSORIES

Hot Dip Galvanized (TS EN ISO 1461)

Description	T (mm)	Weight (kg./pc.)	Order Code
BR 1-5 L Self-nut fitting	6	0,429	3136677



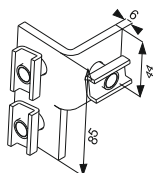
BR 1-5



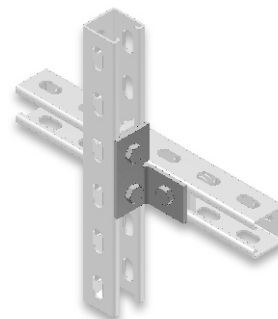
►► BINRAK MODULAR FITTING ACCESSORIES

Hot Dip Galvanized (TS EN ISO 1461)

Description	T (mm)	Weight (kg./pc.)	Order Code
BR 1-6 L Self-nut wing connection part	6	0,434	3136678



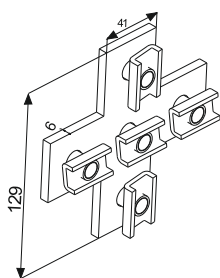
BR 1-6



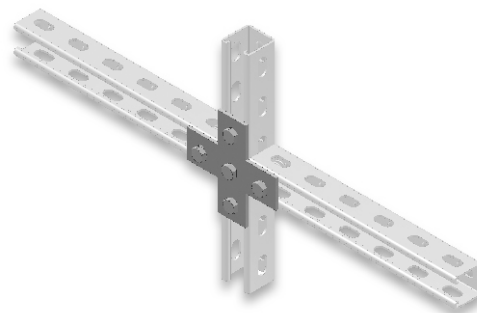
►► BINRAK MODULAR FITTING ACCESSORIES

Hot Dip Galvanized (TS EN ISO 1461)

Description	T (mm)	Weight (kg./pc.)	Order Code
BR 1-7 "+" Self-nut connection part	6	0,710	3136679



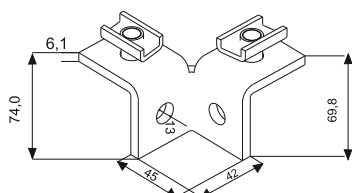
BR 1-7



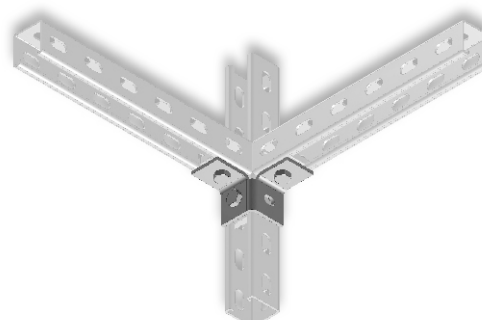
►► BINRAK MODULAR FITTING ACCESSORIES

Hot Dip Galvanized (TS EN ISO 1461)

Description	T (mm)	Weight (kg./pc.)	Order Code
BR 1-8 "W" wing self-nut connection part	6	0,567	3136680



BR 1-8



■ Please indicate order code in your orders.

■ Please contact us for special size.

■ For installation, M10 bolts and nuts should be ordered

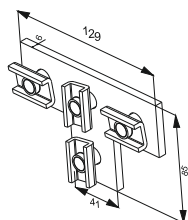
■ Material weights may vary by $\pm 10\%$



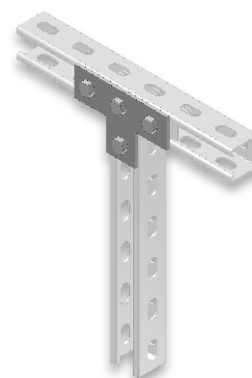
►► BINRAK MODULAR FITTING ACCESSORIES

Hot Dip Galvanized (TS EN ISO 1461)

Description	T (mm)	Weight (kg./pc.)	Order Code
BR 1-9 T Self-nut fitting	6	0,560	3136673



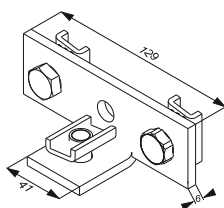
BR 1-9



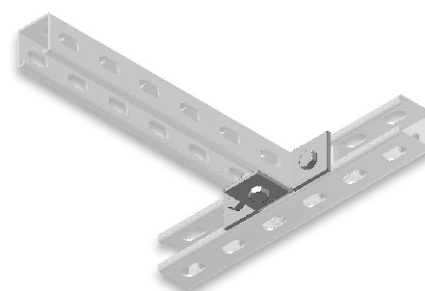
►► BINRAK MODULAR FITTING ACCESSORIES

Hot Dip Galvanized (TS EN ISO 1461)

Description	T (mm)	Weight (kg./pc.)	Order Code
BR 1-10 T offset connection self-nut	6	0,560	3136674



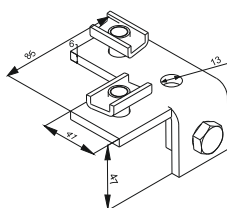
BR 1-10



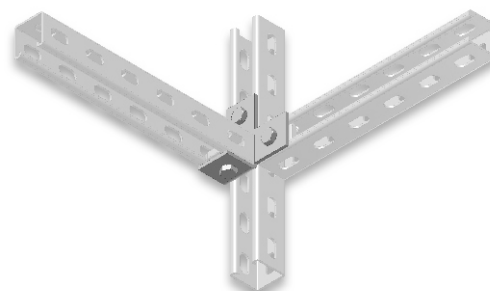
►► BINRAK MODULAR FITTING ACCESSORIES

Hot Dip Galvanized (TS EN ISO 1461)

Description	T (mm)	Weight (kg./pc.)	Order Code
BR 1-11 left offset self-nut part 90	6	0,560	3136675



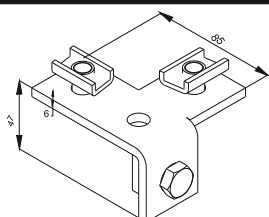
BR 1-11



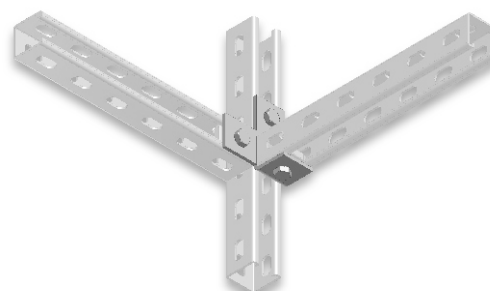
►► BINRAK MODULAR FITTING ACCESSORIES

Hot Dip Galvanized (TS EN ISO 1461)

Description	T (mm)	Weight (kg./pc.)	Order Code
BR 1-12 right offset self-nut part 90	6	0,560	3136676



BR 1-12



■ Please indicate order code in your orders.

■ Please contact us for special size.

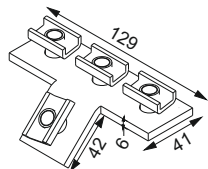
■ For installation, M10 bolts and nuts should be ordered

■ Material weights may vary by $\pm 10\%$

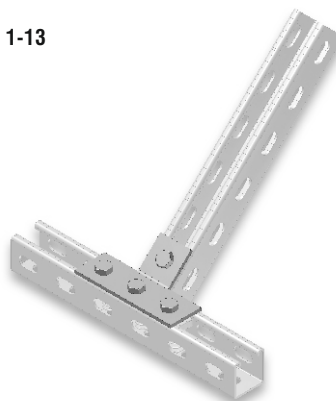
►► BINRAK MODULAR FITTING ACCESSORIES

Hot Dip Galvanized (TS EN ISO 1461)

Description	T (mm)	Weight (kg./pc.)	Order Code
BR 1-13 T 45 Self-nut fitting	6	0,560	3136668



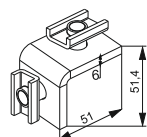
BR 1-13



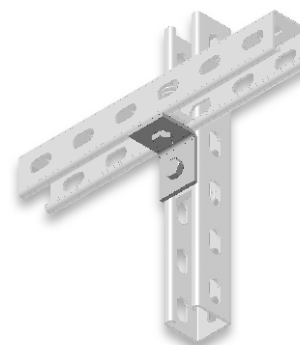
►► BINRAK MODULAR FITTING ACCESSORIES

Hot Dip Galvanized (TS EN ISO 1461)

Description	T (mm)	Weight (kg./pc.)	Order Code
BR 1-14 L bend self-nut connection part	6	0,280	3136669



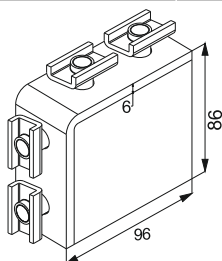
BR 1-14



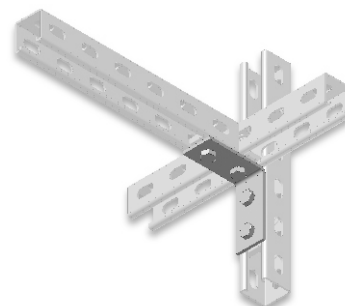
►► BINRAK MODULAR FITTING ACCESSORIES

Hot Dip Galvanized (TS EN ISO 1461)

Description	T (mm)	Weight (kg./pc.)	Order Code
BR 1-15 L bend self-nut connection part	6	0,563	3136670



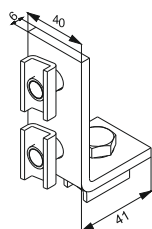
BR 1-15



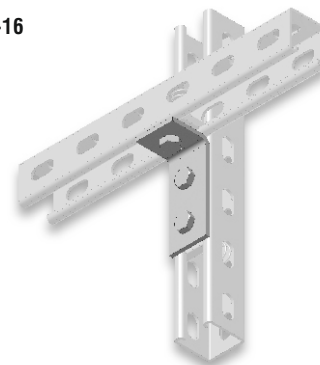
►► BINRAK MODULAR FITTING ACCESSORIES

Hot Dip Galvanized (TS EN ISO 1461)

Description	T (mm)	Weight (kg./pc.)	Order Code
BR 1-16 L bend self-nut connection part	6	0,419	3136672



BR 1-16



■ Please indicate order code in your orders.

■ Please contact us for special modules.

■ For installation, M10 bolts and nuts should be ordered

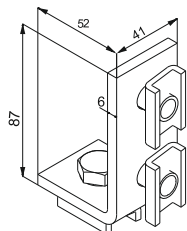
■ Material weights may vary by ± 10%



►► BINRAK MODULAR FITTING ACCESSORIES

Hot Dip Galvanized (TS EN ISO 1461)

Description	T (mm)	Weight (kg./pc.)	Order Code
BR 1-17 L self-nut bend connection part	6	0,419	3136664



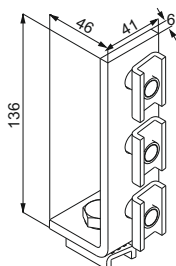
BR 1-17



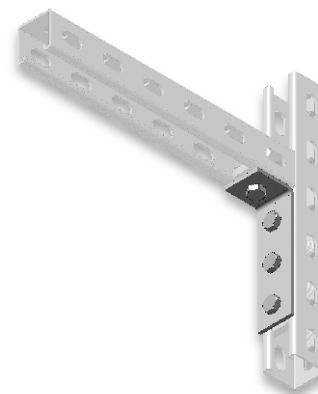
►► BINRAK MODULAR FITTING ACCESSORIES

Hot Dip Galvanized (TS EN ISO 1461)

Description	T (mm)	Weight (kg./pc.)	Order Code
BR 1-18 L self-nut bend connection part	6	0,563	3136665



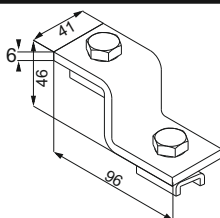
BR 1-18



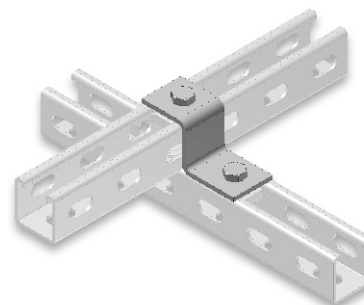
►► BINRAK MODULAR FITTING ACCESSORIES

Hot Dip Galvanized (TS EN ISO 1461)

Description	T (mm)	Weight (kg./pc.)	Order Code
BR 1-19 Z self-nut connection part	6	0,359	3136666



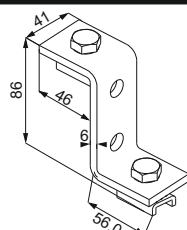
BR 1-19



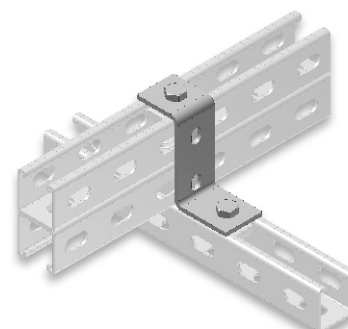
►► BINRAK MODULAR FITTING ACCESSORIES

Hot Dip Galvanized (TS EN ISO 1461)

Description	T (mm)	Weight (kg./pc.)	Order Code
BR 1-20 Z self-nut connection part	6	0,435	3136667



BR 1-20



■ Please indicate order code in your orders.

■ Please contact us for special modules.

■ For installation, M10 bolts and nuts should be ordered

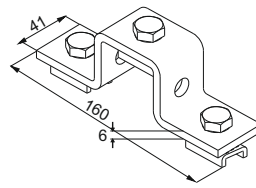
■ Material weights may vary by $\pm 10\%$



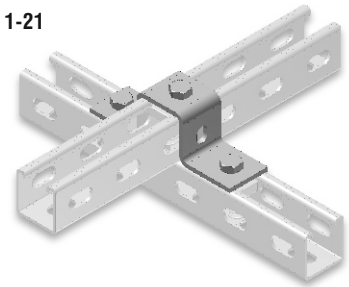
►► BINRAK MODULAR FITTING ACCESSORIES

Hot Dip Galvanized (TS EN ISO 1461)

Description	T (mm)	Weight (kg./pc.)	Order Code
BR 1-21 U bridge self-nut connection part	6	0,600	3136659



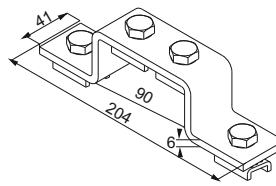
BR 1-21



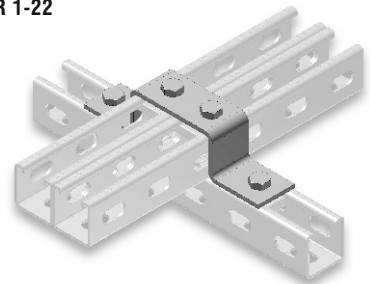
►► BINRAK MODULAR FITTING ACCESSORIES

Hot Dip Galvanized (TS EN ISO 1461)

Description	T (mm)	Weight (kg./pc.)	Order Code
BR 1-22 U bridge self-nut connection part	6	0,730	3136660



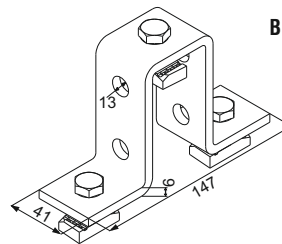
BR 1-22



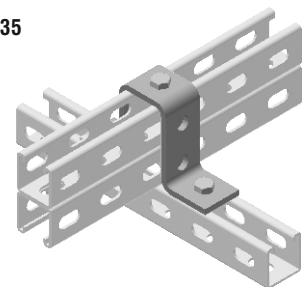
►► BINRAK MODULAR FITTING ACCESSORIES

Hot Dip Galvanized (TS EN ISO 1461)

Description	T (mm)	Weight (kg./pc.)	Order Code
BR 1-35 U bridge self-nut connection part	6	0,756	3136661



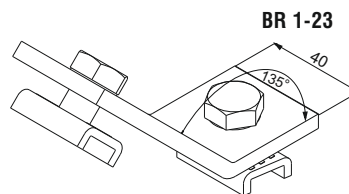
BR 1-35



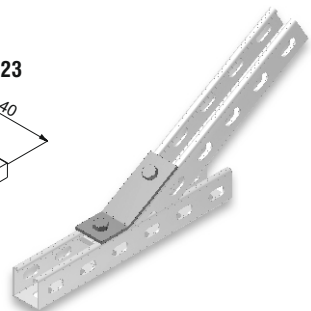
►► BINRAK MODULAR FITTING ACCESSORIES

Hot Dip Galvanized (TS EN ISO 1461)

Description	T (mm)	Weight (kg./pc.)	Order Code
BR 1-23 135 self-nut bend part	6	0,371	3136662



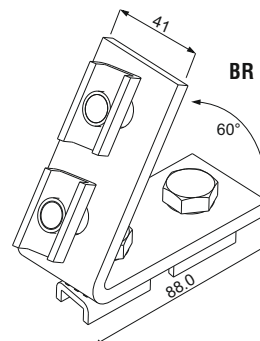
BR 1-23



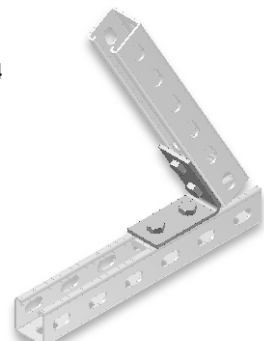
►► BINRAK MODULAR FITTING ACCESSORIES

Hot Dip Galvanized (TS EN ISO 1461)

Description	T (mm)	Weight (kg./pc.)	Order Code
BR 1-24 60 angular self-nut connection part	6	0,566	3136663



BR 1-24



■ Please indicate order code in your orders.

■ Please contact us for special size.

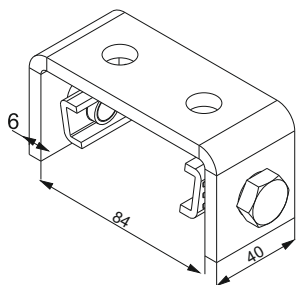
■ For installation, M10 bolts and nuts should be ordered

■ Material weights may vary by ± 10%

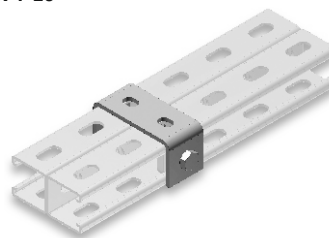
►► BINRAK MODULAR FITTING ACCESSORIES

Hot Dip Galvanized (TS EN ISO 1461)

Description	T (mm)	Weight (kg./pc.)	Order Code
BR 1-25 U self-nut connection part 82	6	0,451	3136655



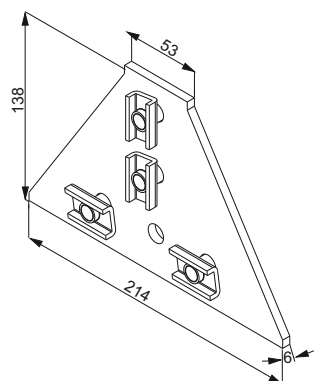
BR 1-25



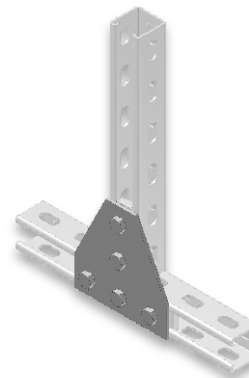
►► BINRAK MODULAR FITTING ACCESSORIES

Hot Dip Galvanized (TS EN ISO 1461)

Description	T (mm)	Weight (kg./pc.)	Order Code
BR 1-26 leaf self-nut connection part with nut	6	1,072	3136656



BR 1-26



■ Please indicate order code in your orders.

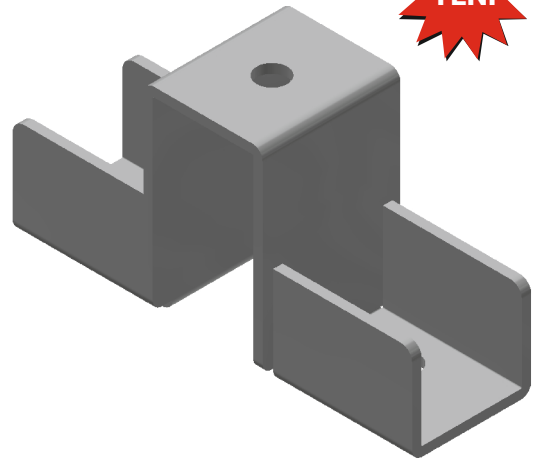
■ Please contact us for special size.

■ For installation, M10 bolts and nuts should be ordered

■ Material weights may vary by $\pm 10\%$

►► BINRAK CROSS CONNECTORS

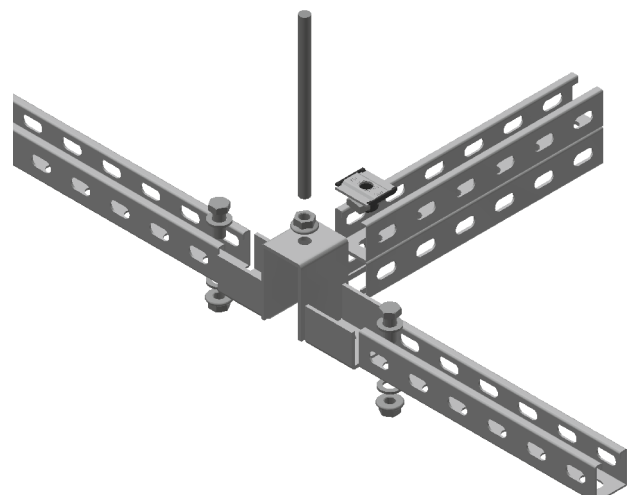
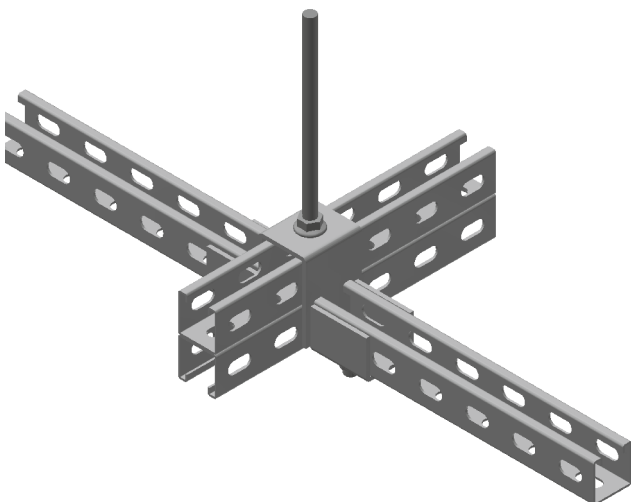
Hot Dip Galvanized (TS EN ISO 1461)



Description	T (mm)	Weight (kg./pc.)	Order Code
21x21 Cross connectors-one way	4	0,35	3136608
42x21 Cross connectors-one way	4	0,43	3136609
41x41 Cross connectors-one way	4	0,52	3136610
82x41 Cross connectors-one way	4	0,68	3136611
21x21 Cross connectors-two way	4	0,52	3136612
42x21 Cross connectors-two way	4	0,61	3136613
41x41 Cross connectors-two way	4	0,77	3136614
82x41 Cross connectors-two way	4	0,93	3136615

21x21 Cross connectors - one way	42x21 Cross connectors - one way	21x21 Cross connectors-two way	42x21 Cross connectors-two way

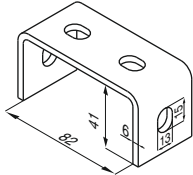
41x41 Cross connectors - one way	82x41 Cross connectors - one way	42x41 Cross connectors-two way	82x41 Cross connectors-two way



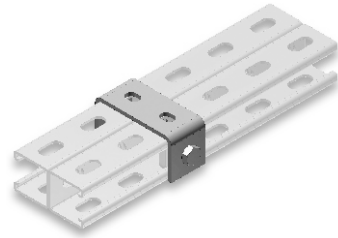
►► BINRAK FITTING ACCESSORIES

Hot Dip Galvanized (TS EN ISO 1461)

Description	T (mm)	Weight (kg./pc.)	Order Code
BR 1-25 U Fitting	6	0,331	3000190



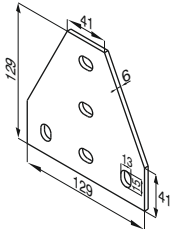
BR 1-25



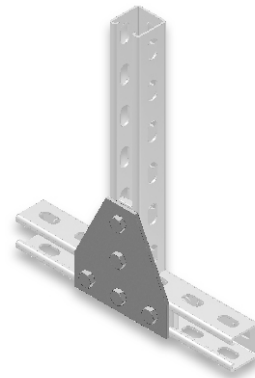
►► BINRAK FITTING ACCESSORIES

Hot Dip Galvanized (TS EN ISO 1461)

Description	T (mm)	Weight (kg./pc.)	Order Code
BR 1-26 Gusset Fitting	6	0,814	3000217



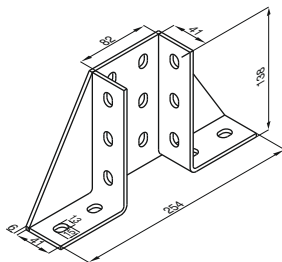
BR 1-26



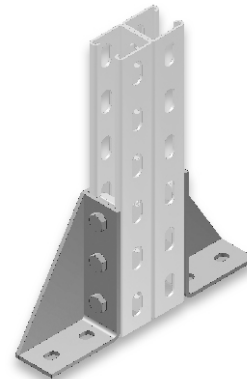
►► BINRAK FIXING ACCESSORIES

Hot Dip Galvanized (TS EN ISO 1461)

Description	T (mm)	Weight (kg./pc.)	Order Code
BR 1-27 Flag Fixing 82mm	6	2,037	3000206



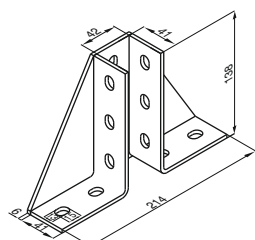
BR 1-27



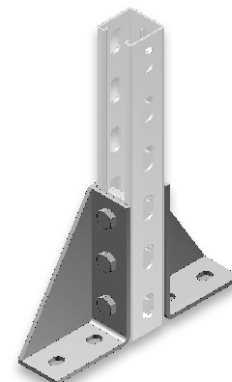
►► BINRAK FIXING ACCESSORIES

Hot Dip Galvanized (TS EN ISO 1461)

Description	T (mm)	Weight (kg./pc.)	Order Code
BR 1-28 Flag Fixing 41mm	6	1,798	3000205



BR 1-28



■ Please indicate order code in your orders.

■ Please contact us for special size.

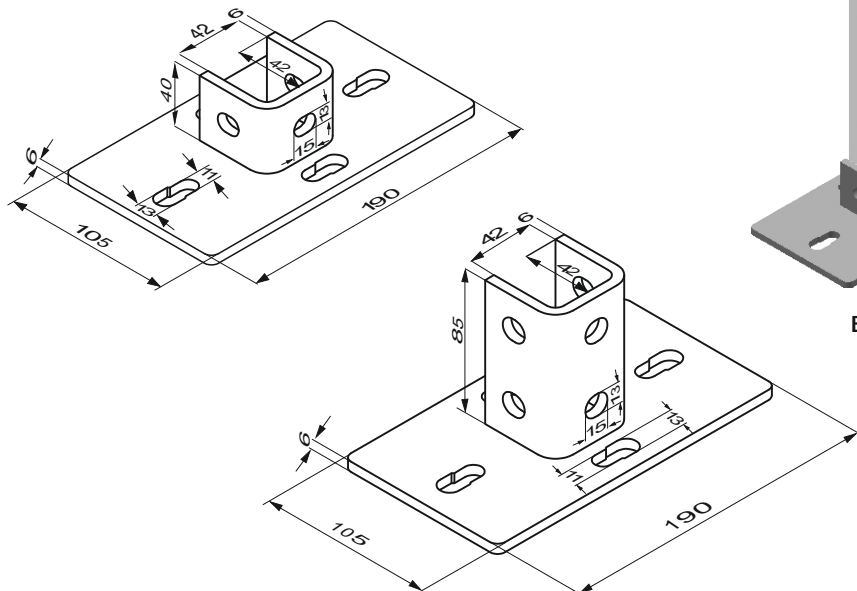
■ For installation, M10 bolts and nuts should be ordered

■ Material weights may vary by $\pm 10\%$

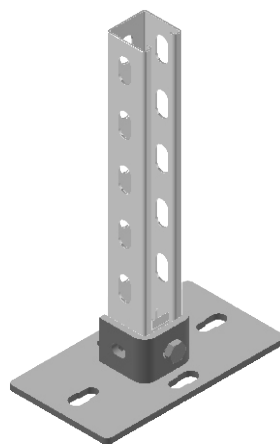
►► BINRAK FIXING ACCESSORIES

Hot Dip Galvanized (TS EN ISO 1461)

Description	T (mm)	Weight (kg./pc.)	Order Code
BR 1-29 Base Fixing Single	6	1,205	3000208
BR 1-30 Base Fixing Single	6	1,481	3000209

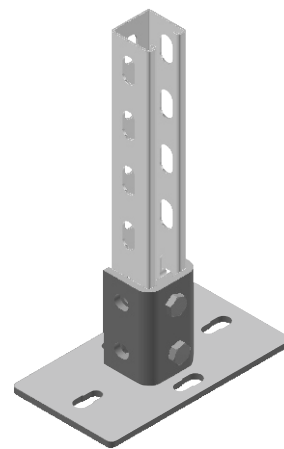


Ceiling/Floor Mounting 1



BR 1-29

Ceiling/Floor Mounting 2

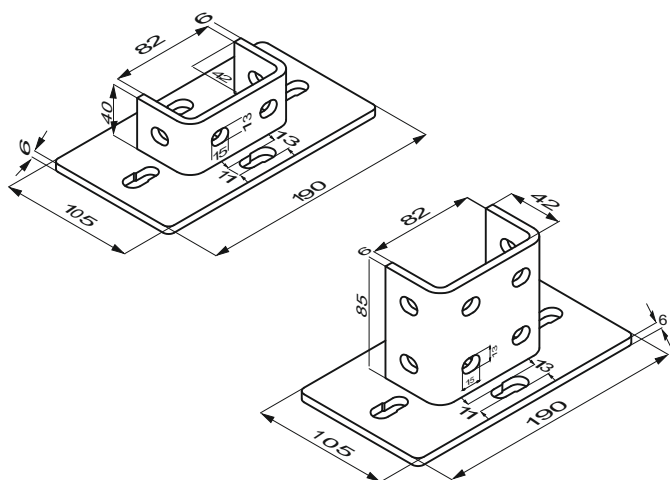


BR 1-30

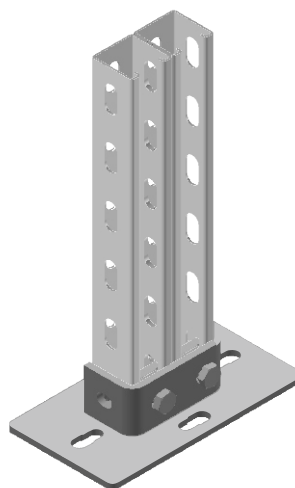
►► BINRAK FIXING ACCESSORIES

Hot Dip Galvanized (TS EN ISO 1461)

Description	T (mm)	Weight (kg./pc.)	Order Code
BR 1-31 Base Fixing Double	6	1,281	3000211
BR 1-32 Base Fixing Double	6	1,650	3000212

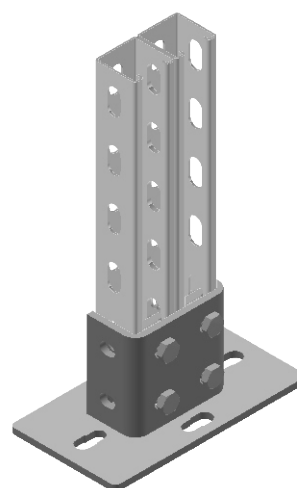


Ceiling/Floor Mounting 1



BR 1-31

Ceiling/Floor Mounting 2



BR 1-32

■ Please indicate order code in your orders.

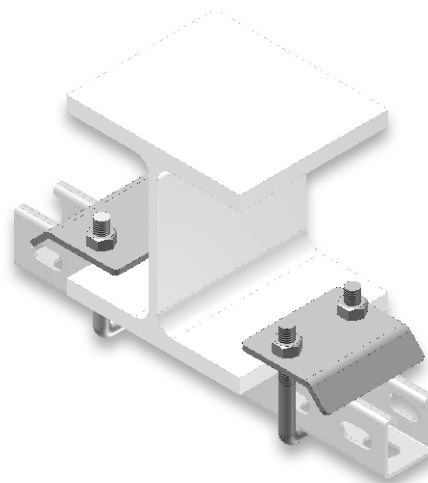
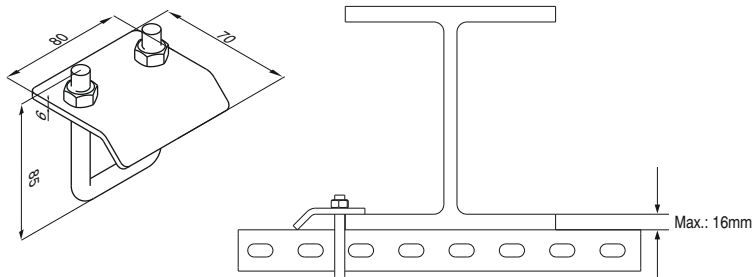
■ Please contact us for special size.

■ Material weights may vary by $\pm 10\%$

►► BINRAK FIXING ACCESSORIES

Hot Dip Galvanized (TS EN ISO 1461)

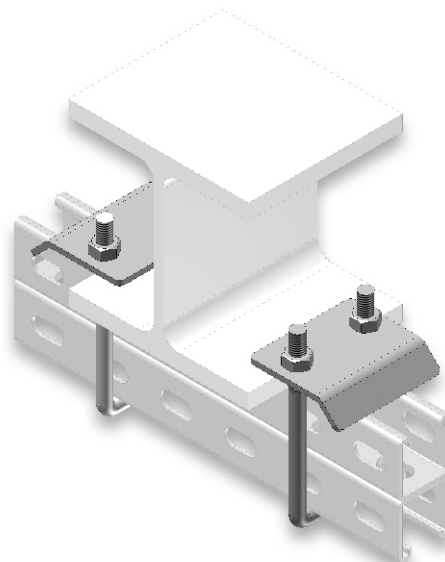
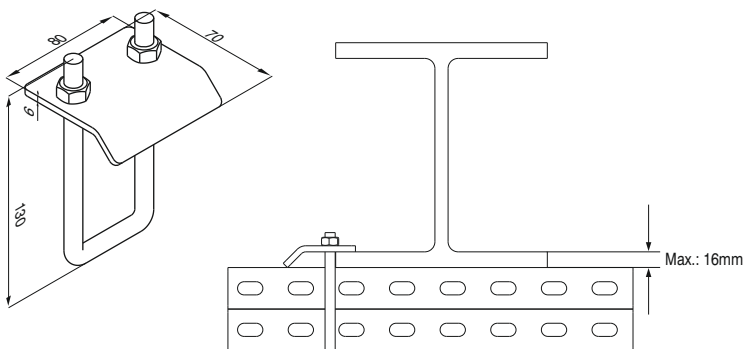
Description	T (mm)	Weight (kg./pc.)	Order Code
BR 1-33 Beam Clamp (41x41mm)	6	0,473	3000207



►► BINRAK FIXING ACCESSORIES

Hot Dip Galvanized (TS EN ISO 1461)

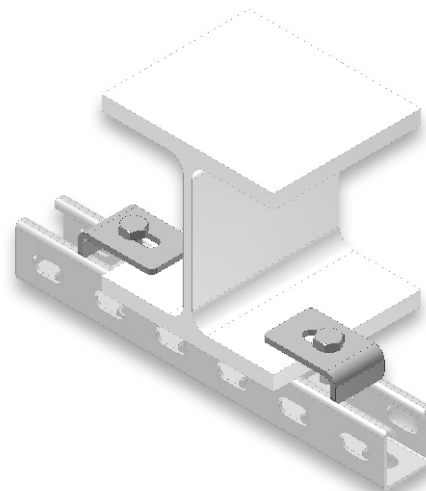
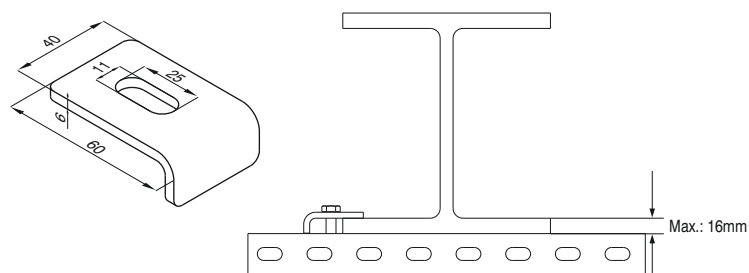
Description	T (mm)	Weight (kg./pc.)	Order Code
BR 1-34 Beam Clamp (41x82mm)	6	0,563	3000213



►► BINRAK FIXING ACCESSORIES

Alkali Zinc

Description	T (mm)	Weight (kg./pc.)	Order Code
TP 2 Fixing Part	6	0,134	3006350



■ The order code includes M10 x 50 bolts and M10 square nuts.

■ Please indicate order code in your orders.

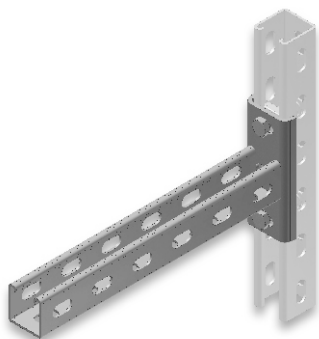
■ Please contact us for special size.

■ Material weights may vary by $\pm 10\%$

►► BINRAK SUPPORT WITH HOLES

Hot Dip Galvanized (TS EN ISO 1461)

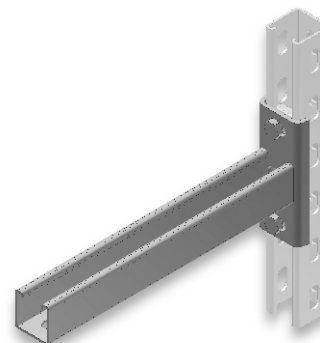
Description	A (mm)	T (mm)	Weight (kg./pc.)	Order Code
BR 2-100	150	2	0,588	3000210
BR 2-150	200	2	0,695	3000243
BR 2-200	250	2	0,801	3000244
BR 2-250	300	2	0,908	3000245
BR 2-300	350	2	1,014	3000246
BR 2-400	450	2	1,227	3000247
BR 2-500	550	2	1,440	3000248
BR 2-600	650	2	1,653	3000249



►► BINRAK SUPPORT WITH SINGLE HOLES

Hot Dip Galvanized (TS EN ISO 1461)

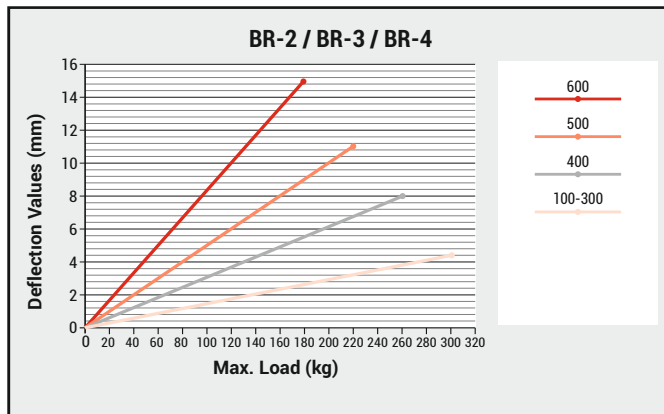
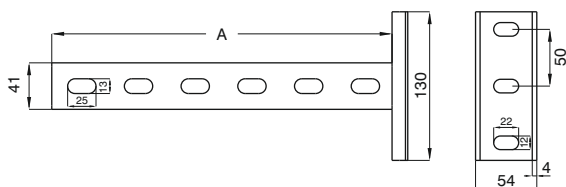
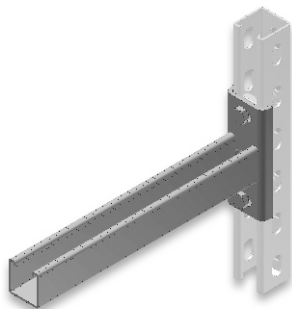
Description	A (mm)	T (mm)	Weight (kg./pc.)	Order Code
BR 3-100	150	2	0,627	3000214
BR 3-150	200	2	0,749	3000250
BR 3-200	250	2	0,865	3000251
BR 3-250	300	2	0,959	3000252
BR 3-300	350	2	1,073	3000253
BR 3-400	450	2	1,299	3000254
BR 3-500	550	2	1,525	3000255
BR 3-600	650	2	1,751	3000256



►► BINRAK SUPPORT WITHOUT HOLES

Hot Dip Galvanized (TS EN ISO 1461)

Description	A (mm)	T (mm)	Weight (kg./pc.)	Order Code
BR 4-100	150	2	0,634	3000215
BR 4-150	200	2	0,752	3000257
BR 4-200	250	2	0,871	3000258
BR 4-250	300	2	0,988	3000259
BR 4-300	350	2	1,107	3000260
BR 4-400	450	2	1,344	3000261
BR 4-500	550	2	1,579	3000262
BR 4-600	650	2	1,815	3000263

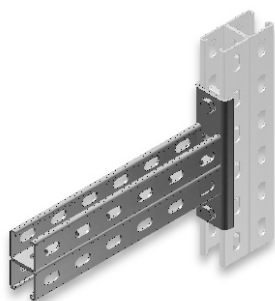


- Please indicate order code in your orders.
- Please contact us for special size.
- The rim of the Binrak support shall be adjusted
- For application of the wall support, welding shall be adjusted
- Material weights may vary by $\pm 10\%$

►► BINRAK DOUBLE SUPPORT WITH HOLES

Hot Dip Galvanized (TS EN ISO 1461)

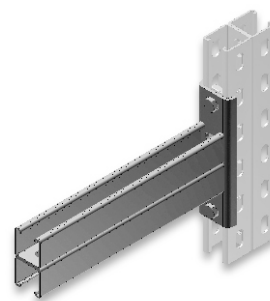
Description	A (mm)	T (mm)	Weight (kg./pc.)	Order Code
BR 5-100	150	2	1,011	3000264
BR 5-150	200	2	1,221	3000265
BR 5-200	250	2	1,433	3000266
BR 5-250	300	2	1,646	3000267
BR 5-300	350	2	1,859	3000268
BR 5-400	450	2	2,276	3000269
BR 5-500	550	2	2,710	3000270
BR 5-600	650	2	3,136	3000271



►► BINRAK DOUBLE SUPPORT WITH SINGLE HOLES

Hot Dip Galvanized (TS EN ISO 1461)

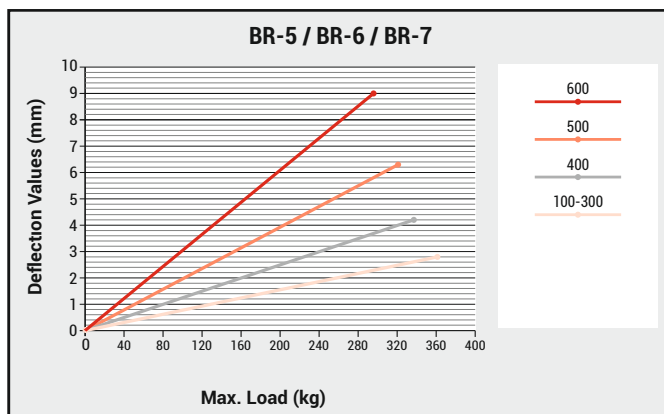
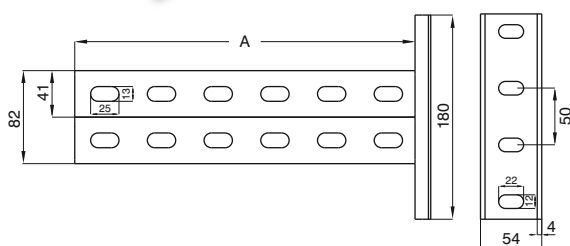
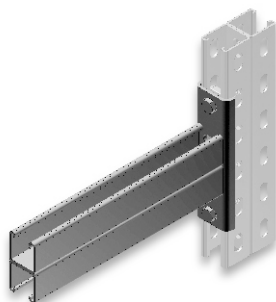
Description	A (mm)	T (mm)	Weight (kg./pc.)	Order Code
BR 6-100	150	2	1,069	3000272
BR 6-150	200	2	1,302	3000273
BR 6-200	250	2	1,535	3000274
BR 6-250	300	2	1,768	3000275
BR 6-300	350	2	2,001	3000276
BR 6-400	450	2	2,467	3000277
BR 6-500	550	2	2,933	3000278
BR 6-600	650	2	3,399	3000279



►► BINRAK DOUBLE SUPPORT WITHOUT HOLES

Hot Dip Galvanized (TS EN ISO 1461)

Description	A (mm)	T (mm)	Weight (kg./pc.)	Order Code
BR 7-100	150	2	1,089	3000280
BR 7-150	200	2	1,326	3000281
BR 7-200	250	2	1,421	3000282
BR 7-250	300	2	1,800	3000283
BR 7-300	350	2	2,036	3000284
BR 7-400	450	2	2,510	3000285
BR 7-500	550	2	2,985	3000286
BR 7-600	650	2	3,457	3000287

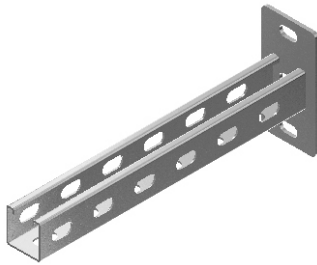


- Please indicate order code in your orders.
- Please contact us for special size.
- For application of the wall support welding shall be adjusted
- Material weights may vary by $\pm 10\%$

▶▶ BINRAK SUPPORT WITH HOLES

Hot Dip Galvanized (TS EN ISO 1461)

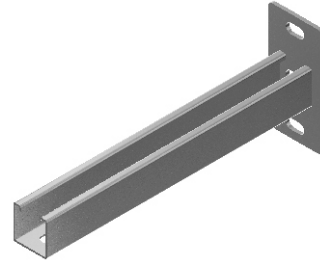
Description	A (mm)	T (mm)	Weight (kg./pc.)	Order Code
BR 2-D-100	150	2	0,588	3110929
BR 2-D-150	200	2	0,695	3110930
BR 2-D-200	250	2	0,801	3110931
BR 2-D-250	300	2	0,908	3110932
BR 2-D-300	350	2	1,014	3110933
BR 2-D-400	450	2	1,227	3110934
BR 2-D-500	550	2	1,440	3110935
BR 2-D-600	650	2	1,653	3110936



▶▶ BINRAK SUPPORT WITH SINGLE HOLES

Hot Dip Galvanized (TS EN ISO 1461)

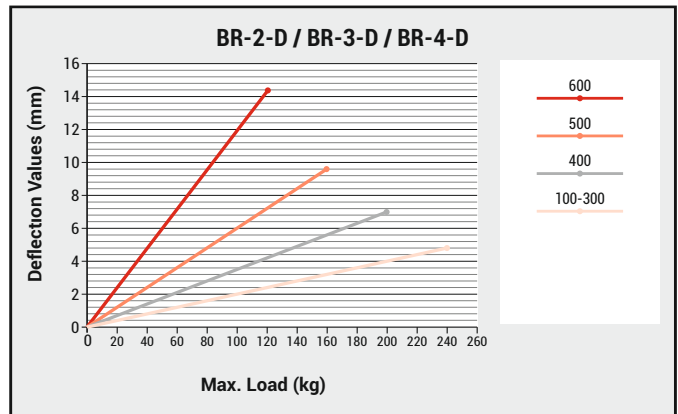
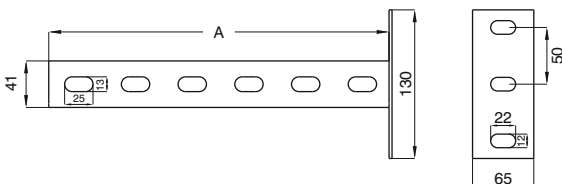
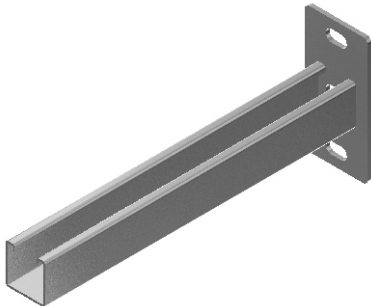
Description	A (mm)	T (mm)	Weight (kg./pc.)	Order Code
BR 3-D-100	150	2	0,627	3110937
BR 3-D-150	200	2	0,749	3110938
BR 3-D-200	250	2	0,865	3110939
BR 3-D-250	300	2	0,959	3110940
BR 3-D-300	350	2	1,073	3110941
BR 3-D-400	450	2	1,299	3110942
BR 3-D-500	550	2	1,525	3110943
BR 3-D-600	650	2	1,751	3110944



▶▶ BINRAK SUPPORT WITHOUT HOLES

Hot Dip Galvanized (TS EN ISO 1461)

Description	A (mm)	T (mm)	Weight (kg./pc.)	Order Code
BR 4-D-100	150	2	0,634	3110945
BR 4-D-150	200	2	0,752	3110946
BR 4-D-200	250	2	0,871	3110947
BR 4-D-250	300	2	0,988	3110948
BR 4-D-300	350	2	1,107	3110949
BR 4-D-400	450	2	1,344	3110950
BR 4-D-500	550	2	1,579	3110951
BR 4-D-600	650	2	1,815	3110952

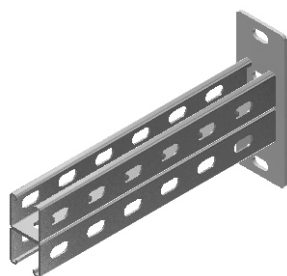


- Please indicate order code in your orders.
- Please contact us for special size.
- The rim of the Binrak support shall be adjusted.
- For application of the wall support, welding shall be adjusted.
- Material weights may vary by $\pm 10\%$

►► BINRAK DOUBLE SUPPORT WITH HOLES

Hot Dip Galvanized (TS EN ISO 1461)

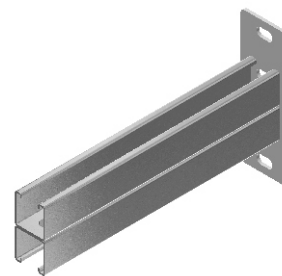
Description	A (mm)	T (mm)	Weight (kg./pc.)	Order Code
BR 5-D-100	150	2	1,011	3110953
BR 5-D-150	200	2	1,221	3110954
BR 5-D-200	250	2	1,433	3110955
BR 5-D-250	300	2	1,646	3110956
BR 5-D-300	350	2	1,859	3110957
BR 5-D-400	450	2	2,276	3110958
BR 5-D-500	550	2	2,710	3110959
BR 5-D-600	650	2	3,136	3110960



►► BINRAK DOUBLE SUPPORT WITH SINGLE HOLES

Hot Dip Galvanized (TS EN ISO 1461)

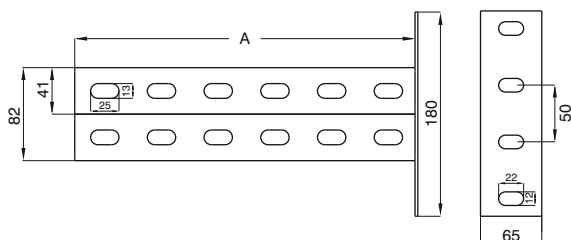
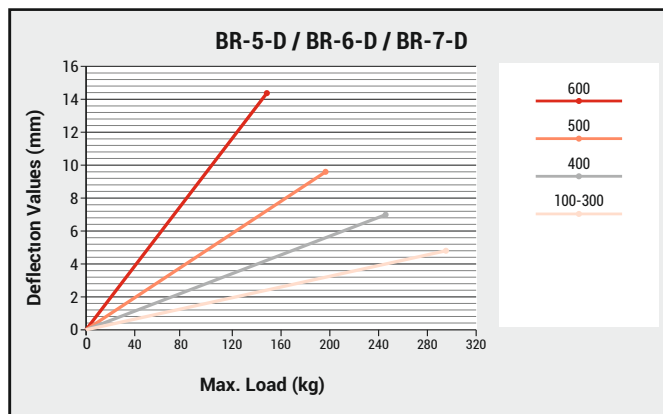
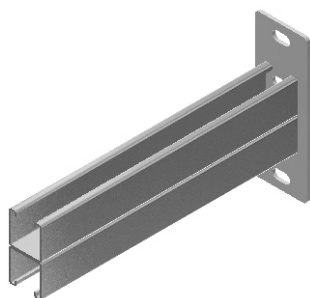
Description	A (mm)	T (mm)	Weight (kg./pc.)	Order Code
BR 6-D-100	150	2	1,069	3110961
BR 6-D-150	200	2	1,302	3110962
BR 6-D-200	250	2	1,535	3110963
BR 6-D-250	300	2	1,768	3110964
BR 6-D-300	350	2	2,001	3110965
BR 6-D-400	450	2	2,467	3110966
BR 6-D-500	550	2	2,933	3110967
BR 6-D-600	650	2	3,399	3110968



►► BINRAK DOUBLE SUPPORT WITHOUT HOLES

Hot Dip Galvanized (TS EN ISO 1461)

Description	A (mm)	T (mm)	Weight (kg./pc.)	Order Code
BR 7-D-100	150	2	1,089	3110969
BR 7-D-150	200	2	1,326	3110970
BR 7-D-200	250	2	1,421	3110971
BR 7-D-250	300	2	1,800	3110972
BR 7-D-300	350	2	2,036	3110973
BR 7-D-400	450	2	2,510	3110974
BR 7-D-500	550	2	2,985	3110975
BR 7-D-600	650	2	3,457	3110976

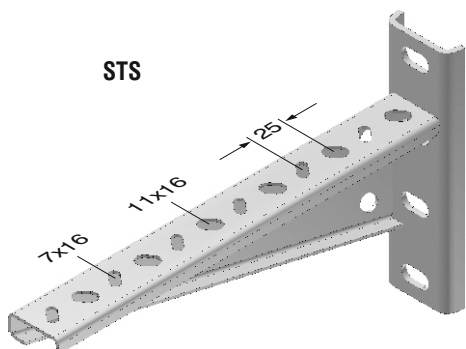
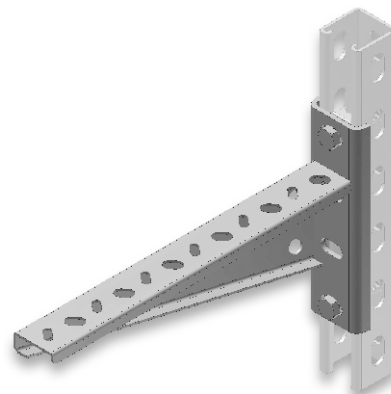


- Please indicate order code in your orders.
- Please contact us for special size.
- For application of the wall support welding shall be adjusted
- Material weights may vary by $\pm 10\%$

▶▶ HEAVY DUTY SUPPORT

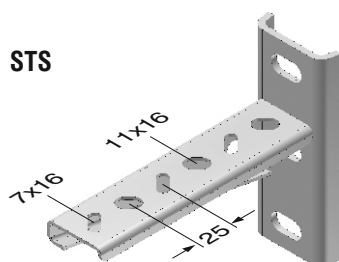
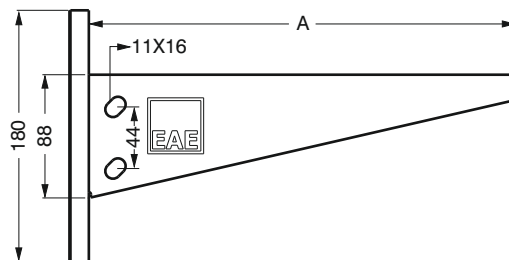
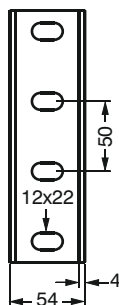
Hot Dip Galvanized (TS EN ISO 1461)

Description	A (mm)	T (mm)	Weight (kg./pc.)	Order Code
STS 100	120	2	0,398	3008015
STS 150	170	2	0,474	3008016
STS 200	220	2	0,539	3008017
STS 250	270	2	0,814	3008018
STS 300	320	2	0,920	3008019
STS 400	420	2	1,026	3008020
STS 500	520	2	1,262	3008021
STS 600	620	2	1,425	3008022



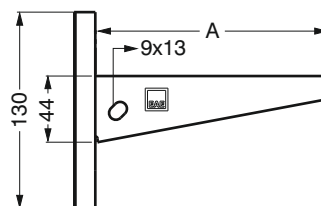
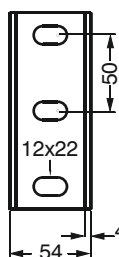
STS

STS 250
STS 300
STS 400
STS 500
STS 600



STS

STS 100
STS 150
STS 200



■ Please indicate order code in your orders.

■ Please contact us for special size.

■ Material weights may vary by $\pm 10\%$

▶▶ ADJUSTABLE ANGLE BRACKETS

Hot Dip Galvanized (TS EN ISO 1461)

Description	A (mm)	T (mm)	Weight (kg./pc.)	Order Code
ST 200	205	2	0,318	2000799
ST 250	255	2	0,416	2000805
ST 300	305	2	0,494	2000800
ST 400	405	2	0,649	2000801
Adjustable Angle Fixing Unit	-	2,5	0,200	3006351

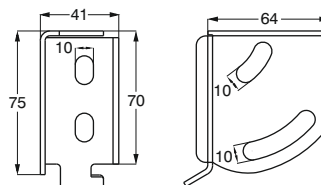
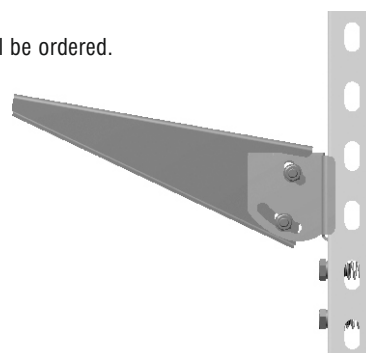
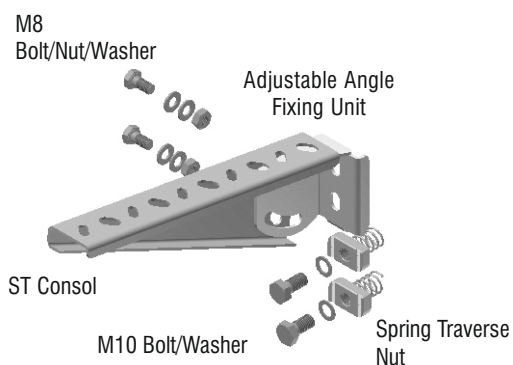


■ For the installation of the angle adjustment tool:

- Angle adjusted fitting, 1 pcs.
- M8x20 bolt 2 pcs.
- M8 washer 2 pcs.
- M8 plain washer 2 pcs.
- M8 nut 2 pcs. shall be ordered.

■ For the installation of the angle adjustment tool to the Binrak Console:

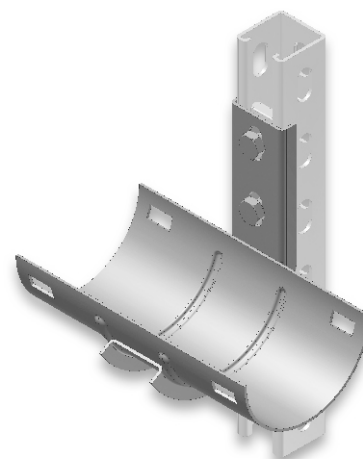
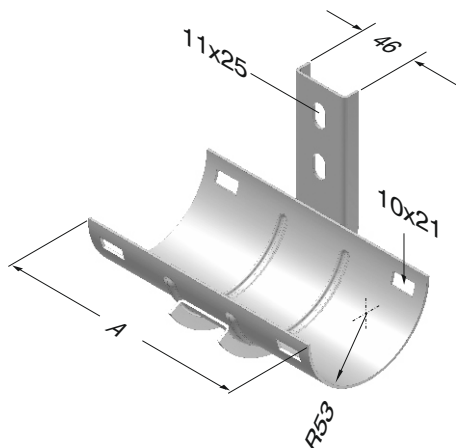
- M10x30 bolt 2 pcs.
- M10 washer 2 pcs.
- M10 spring nut 2 pcs. shall be ordered.



▶▶ MEDIUM VOLTAGE CABLE HANGER

Hot Dip Galvanized (TS EN ISO 1461)

Description	T (mm)	A (mm)	Weight (kg./pc.)	Order Code
M.V. CABLE HANGER	2	150	0,703	3004337
M.V. CABLE HANGER	2	200	0,851	3004338



■ Please indicate order code in your orders.

■ Please contact us for special size.

■ Material weights may vary by $\pm 10\%$

▶▶ **SAMPLE MOUNTING APPLICATIONS**

